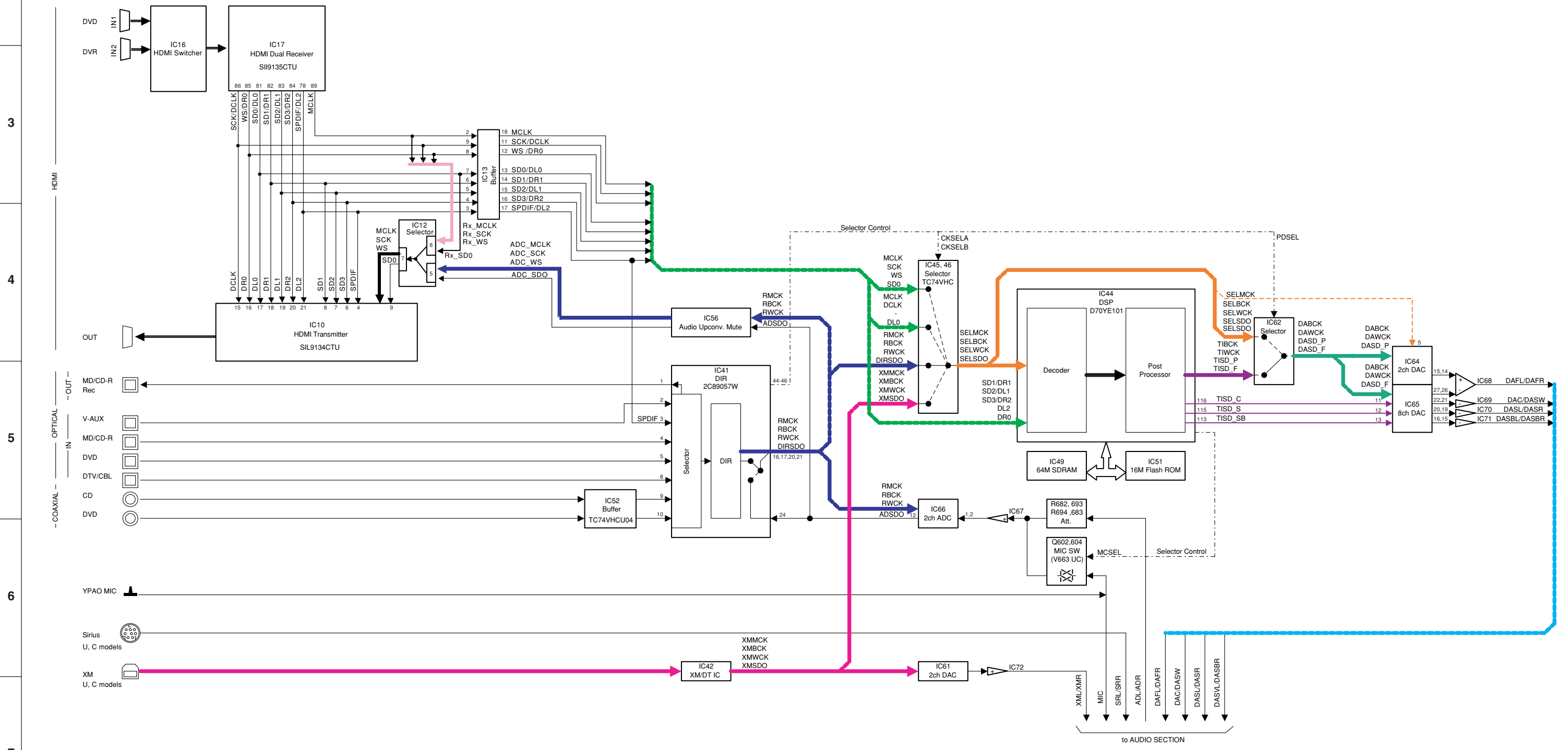


1 ■ BLOCK DIAGRAMS

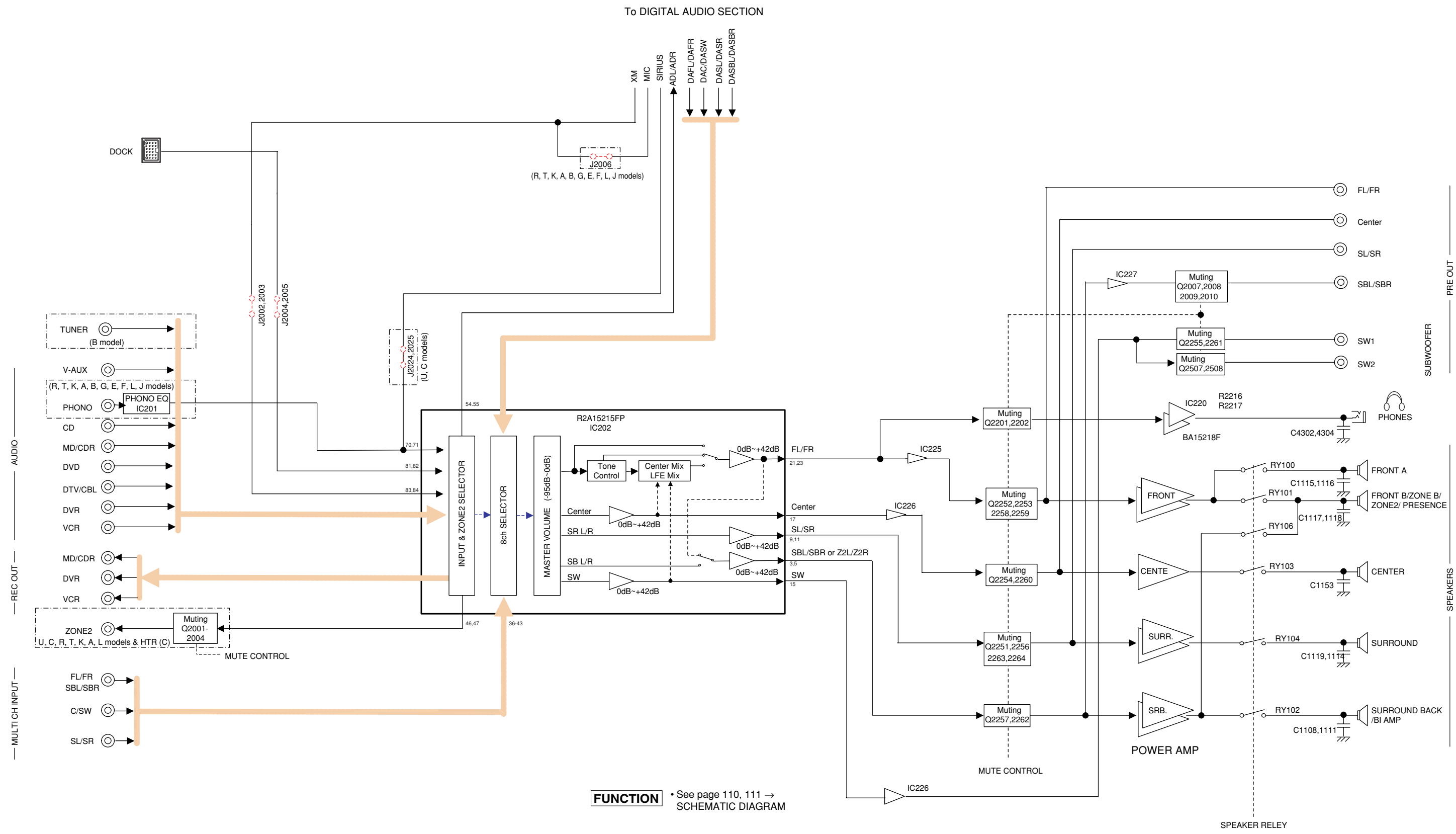
AUDIO (DIGITAL) SECTION BLOCK DIAGRAM

2 **DIGITAL** • See page 105-109 → SCHEMATIC DIAGRAM



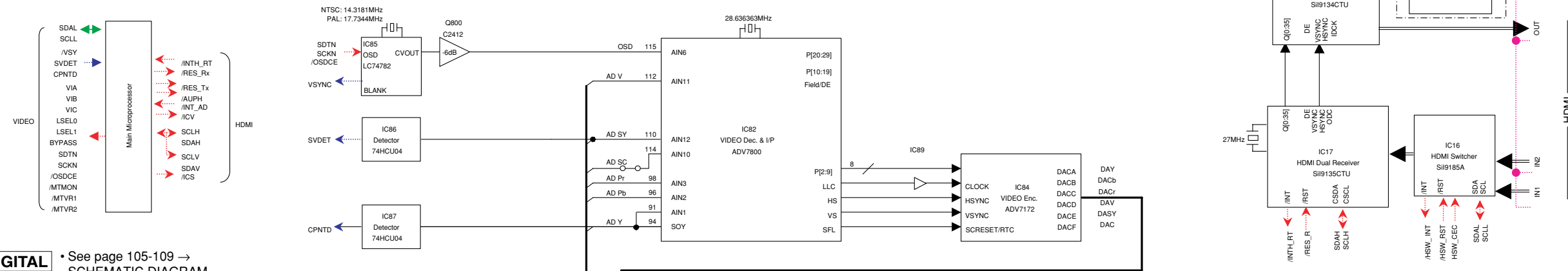
7

### AUDIO (ANALOG) SECTION BLOCK DIAGRAM

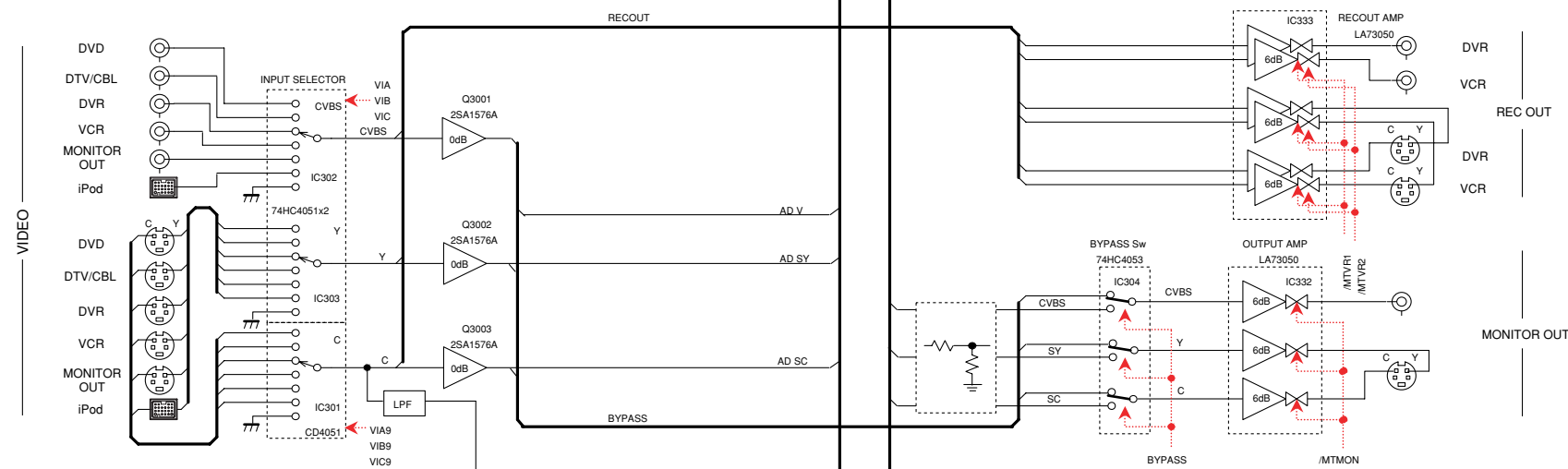


FUNCTION • See page 110, 111 → SCHEMATIC DIAGRAM

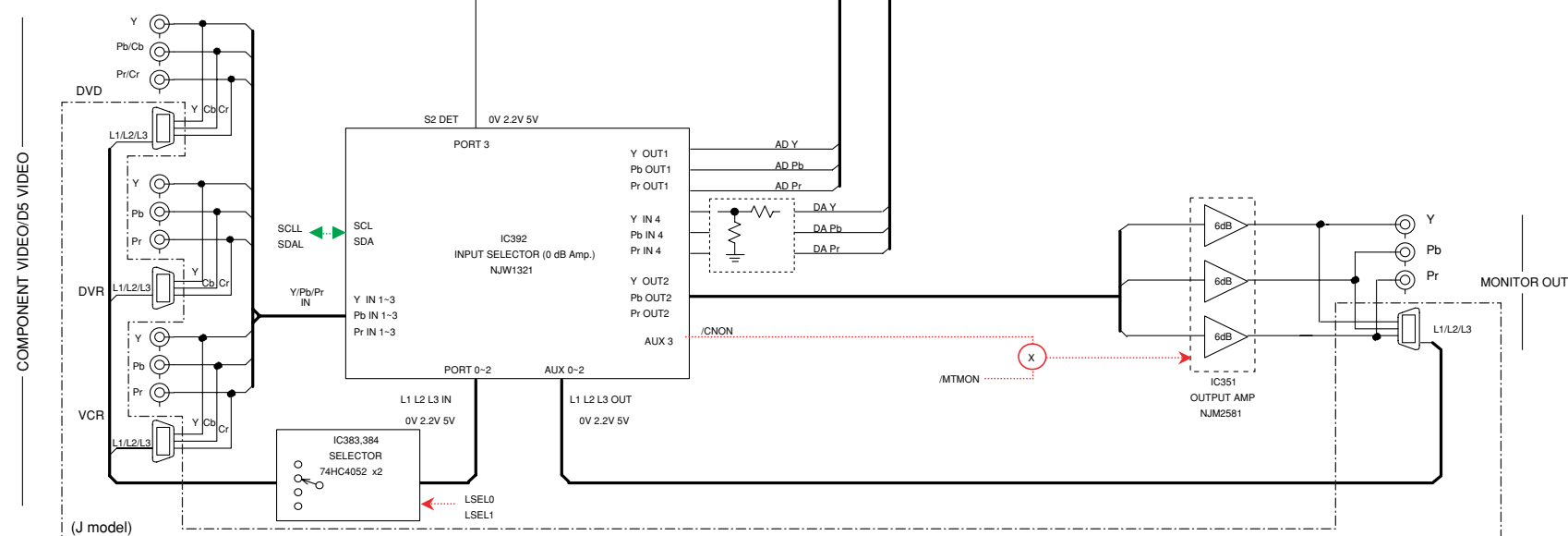
VIDEO SECTION BLOCK DIAGRAM



**DIGITAL** • See page 105-109 → SCHEMATIC DIAGRAM

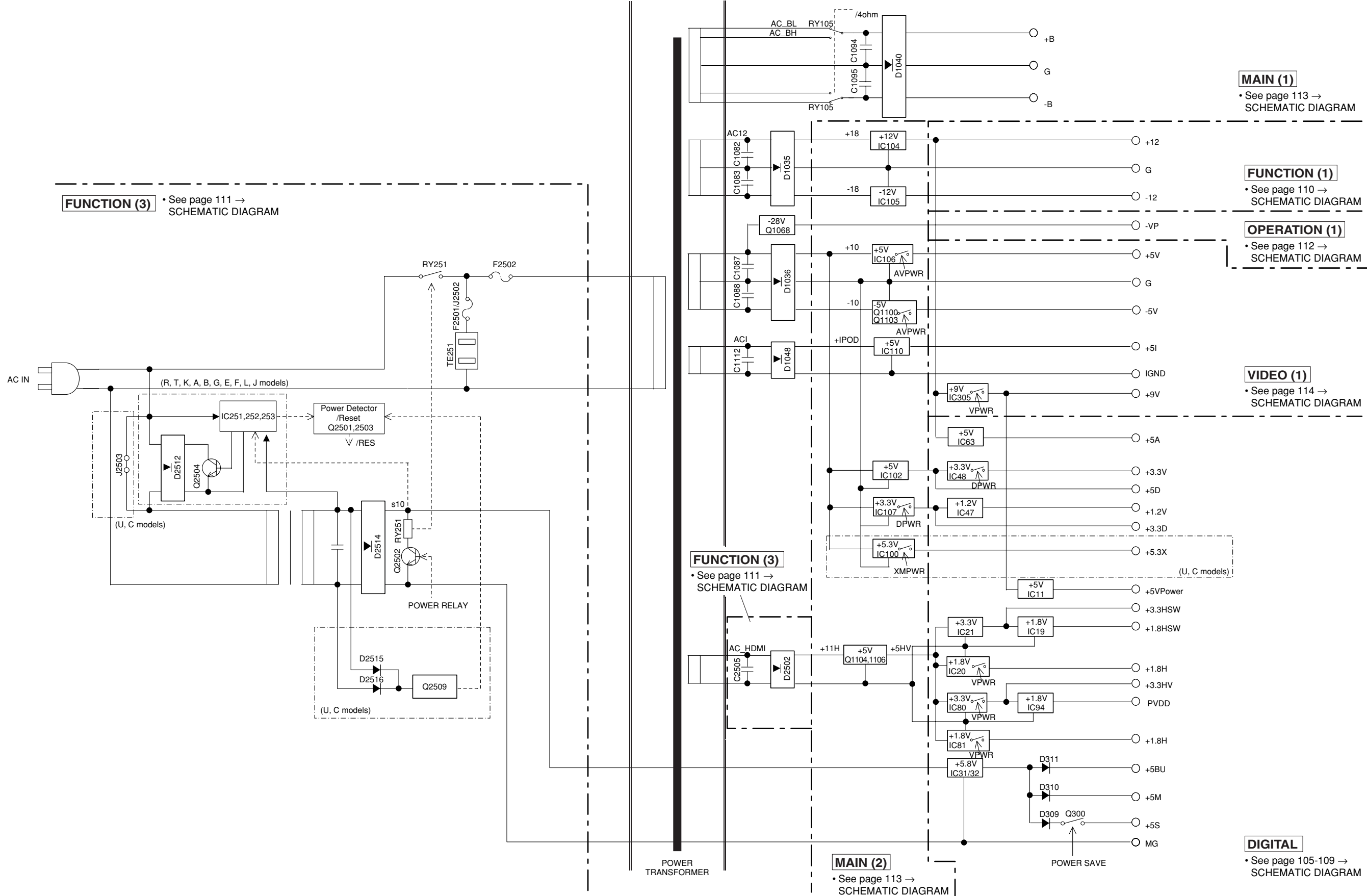


**VIDEO (1)** • See page 114 → SCHEMATIC DIAGRAM

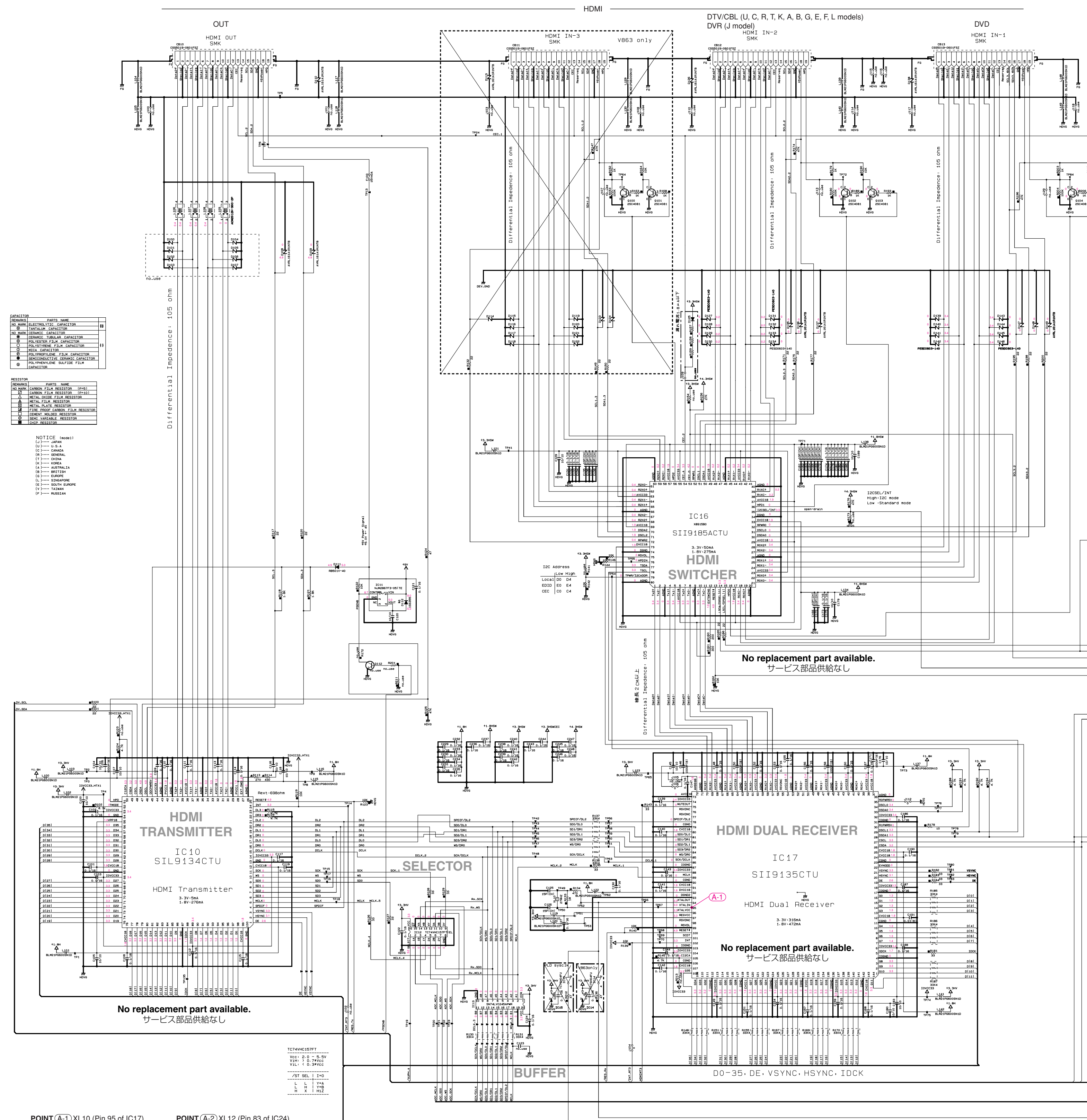


**VIDEO (2)** • See page 115 → SCHEMATIC DIAGRAM

POWER SECTION BLOCK DIAGRAM



SCHEMATIC DIAGRAMS  
DIGITAL 1/5



Discontinued Part List

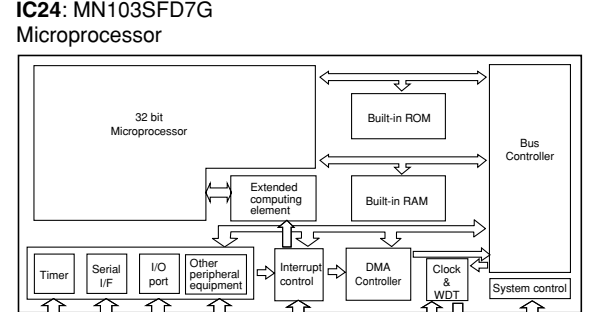
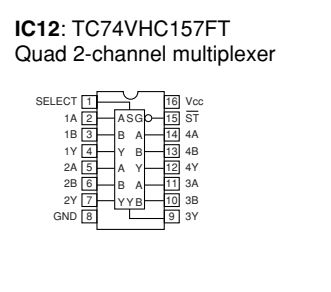
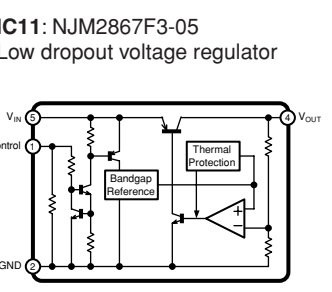
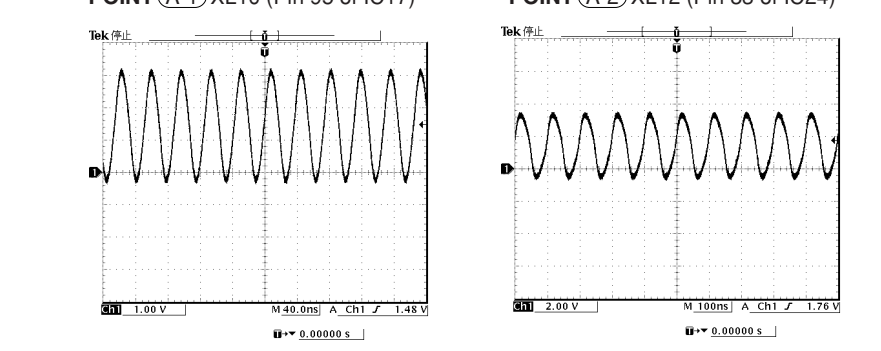
Part No.	Part Name	DSP-AX763	RX-V663/HTR-6160	RX-V663	DSP-AX763	RX-V663/HTR-6160	RX-V663
4001	RES		X	X	X	X	X
4002	RES		X	X	X	X	X
4003	RES		X	X	X	X	X
4004	RES		X	X	X	X	X
4005	RES		X	X	X	X	X
4006	RES		X	X	X	X	X
4007	RES		X	X	X	X	X
4008	RES		X	X	X	X	X
4009	RES		X	X	X	X	X
4010	RES		X	X	X	X	X
4011	RES		X	X	X	X	X
4012	RES		X	X	X	X	X
4013	RES		X	X	X	X	X
4014	RES		X	X	X	X	X
4015	RES		X	X	X	X	X
4016	RES		X	X	X	X	X

RESISTOR PARTS LIST

RESISTOR	PARTS NAME
R1	RESISTOR
R2	RESISTOR
R3	RESISTOR
R4	RESISTOR
R5	RESISTOR
R6	RESISTOR
R7	RESISTOR
R8	RESISTOR
R9	RESISTOR
R10	RESISTOR
R11	RESISTOR
R12	RESISTOR
R13	RESISTOR
R14	RESISTOR
R15	RESISTOR
R16	RESISTOR
R17	RESISTOR
R18	RESISTOR
R19	RESISTOR
R20	RESISTOR
R21	RESISTOR
R22	RESISTOR
R23	RESISTOR
R24	RESISTOR
R25	RESISTOR
R26	RESISTOR
R27	RESISTOR
R28	RESISTOR
R29	RESISTOR
R30	RESISTOR
R31	RESISTOR
R32	RESISTOR
R33	RESISTOR
R34	RESISTOR
R35	RESISTOR
R36	RESISTOR
R37	RESISTOR
R38	RESISTOR
R39	RESISTOR
R40	RESISTOR
R41	RESISTOR
R42	RESISTOR
R43	RESISTOR
R44	RESISTOR
R45	RESISTOR
R46	RESISTOR
R47	RESISTOR
R48	RESISTOR
R49	RESISTOR
R50	RESISTOR

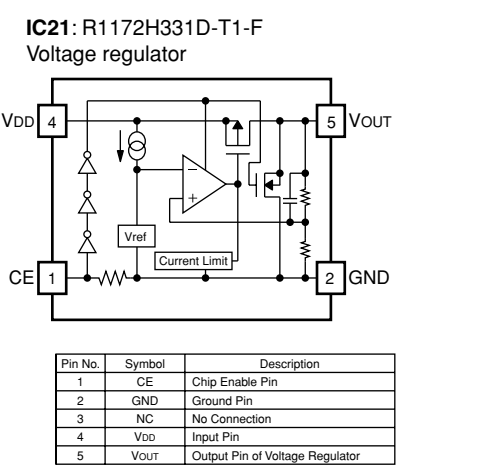
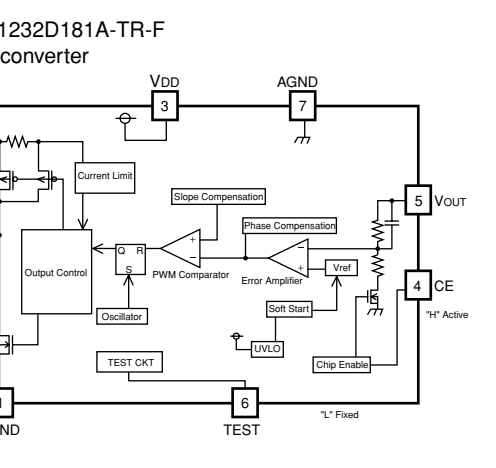
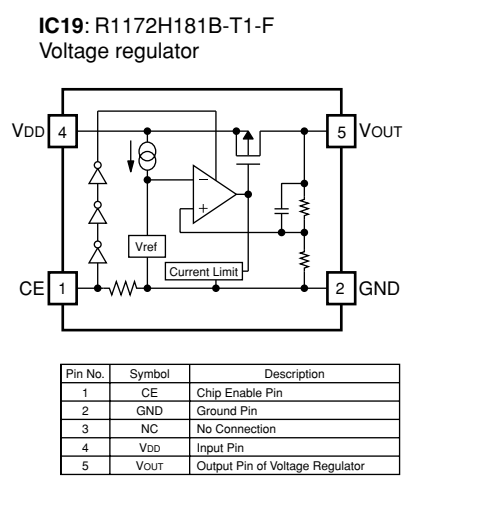
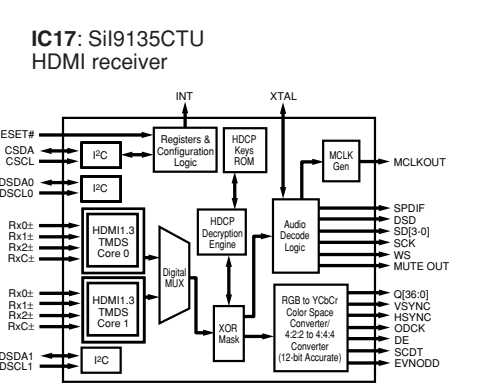
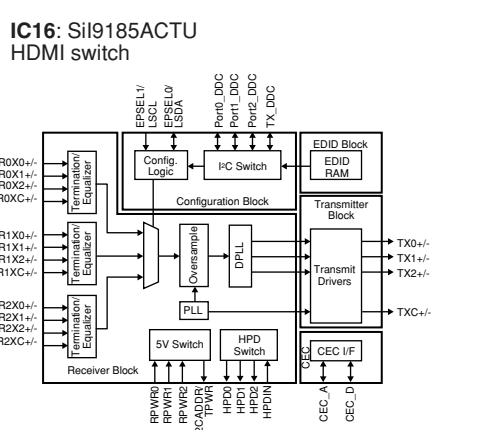
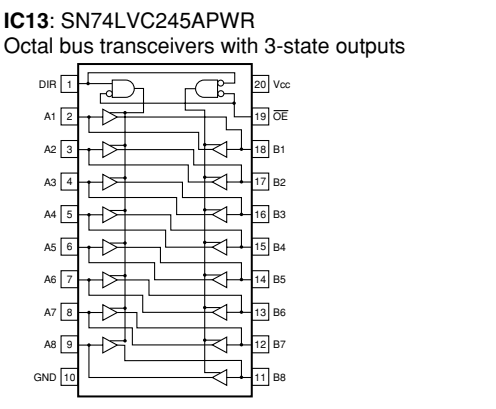
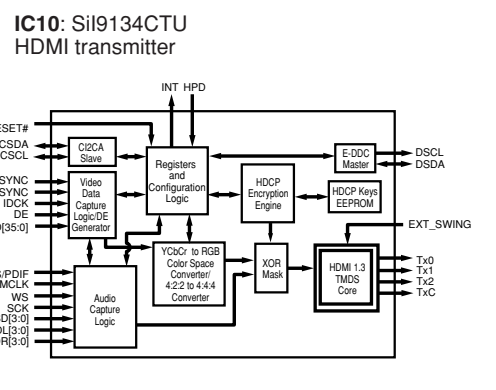
NOTICE

① J1 --- JAPAN  
② U --- U.S.A.  
③ C --- CANADA  
④ B --- BROWNS  
⑤ K --- KOREA  
⑥ M --- MEXICO  
⑦ --- SWITZERLAND  
⑧ --- SWITZERLAND  
⑨ --- SWITZERLAND  
⑩ --- SWITZERLAND  
⑪ --- SWITZERLAND  
⑫ --- SWITZERLAND  
⑬ --- SWITZERLAND  
⑭ --- SWITZERLAND  
⑮ --- SWITZERLAND  
⑯ --- SWITZERLAND  
⑰ --- SWITZERLAND  
⑱ --- SWITZERLAND  
⑲ --- SWITZERLAND  
⑳ --- SWITZERLAND  
㉑ --- SWITZERLAND  
㉒ --- SWITZERLAND  
㉓ --- SWITZERLAND  
㉔ --- SWITZERLAND  
㉕ --- SWITZERLAND  
㉖ --- SWITZERLAND  
㉗ --- SWITZERLAND  
㉘ --- SWITZERLAND  
㉙ --- SWITZERLAND  
㉚ --- SWITZERLAND  
㉛ --- SWITZERLAND  
㉜ --- SWITZERLAND  
㉝ --- SWITZERLAND  
㉞ --- SWITZERLAND  
㉟ --- SWITZERLAND  
㊱ --- SWITZERLAND  
㊲ --- SWITZERLAND  
㊳ --- SWITZERLAND  
㊴ --- SWITZERLAND  
㊵ --- SWITZERLAND  
㊶ --- SWITZERLAND  
㊷ --- SWITZERLAND  
㊸ --- SWITZERLAND  
㊹ --- SWITZERLAND  
㊺ --- SWITZERLAND  
㊻ --- SWITZERLAND  
㊼ --- SWITZERLAND  
㊽ --- SWITZERLAND  
㊾ --- SWITZERLAND  
㊿ --- SWITZERLAND



\* All voltages are measured with a 10MΩ/DC electronic voltmeter.  
\* Components having special characteristics are marked with a dot, and must be replaced with parts having specifications equal to those originally installed.  
\* Schematic diagram is subject to change without notice.

● 電圧は、内部抵抗10MΩの電圧計で測定したものです。  
● 点印のある部品は、安全性確保部品を示しています。部品の交換が必要な場合、パーツリストに記載されている部品を使用してください。  
● 本回路図は標準回路図です。改良のため予告なく変更することがございます。



DIGITAL 2/5

Page 112 [G9] to OPERATION (1)\_CB401

Page 113 [H4] to MAIN (1)\_W103

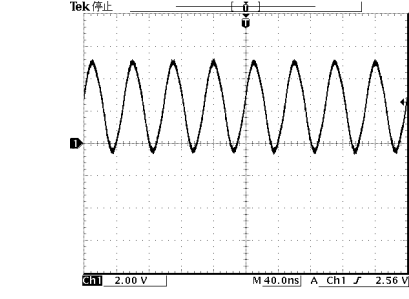
Page 113 [H4] to MAIN (1)\_W104

Page 111 [B7] to FUNCTION (3)\_W2501

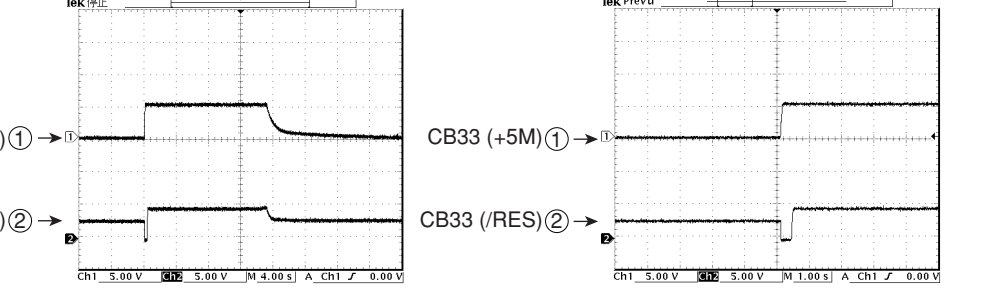
Page 113 [K10] to MAIN (2)\_W113 (J model) to MAIN (2)

Page 110 [B8] to FUNCTION (1)\_CB206 to FUNC(1)

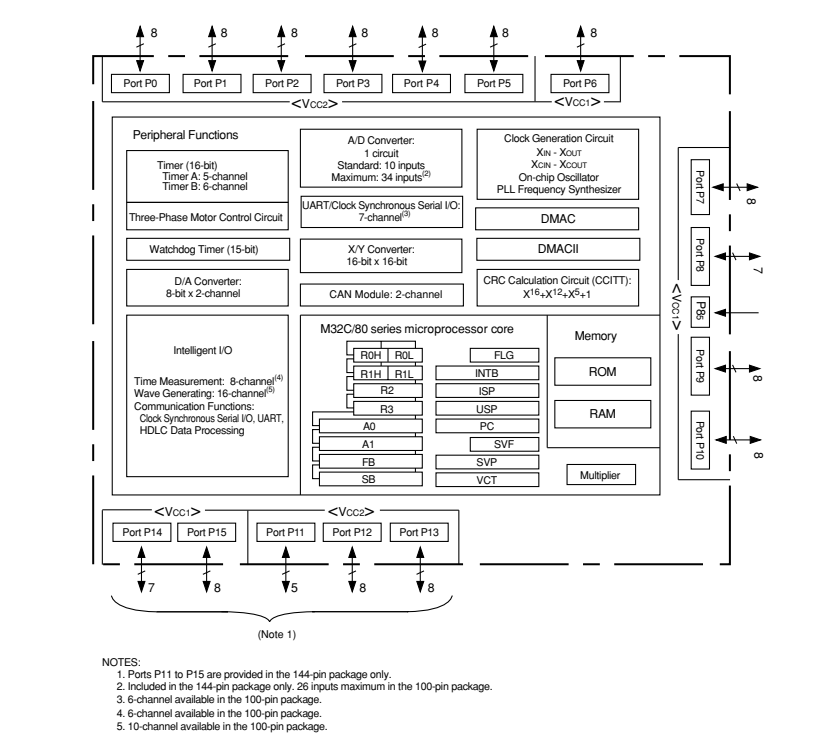
POINT (A-3) XL30 (Pin 20 of IC30)



POINT (C-2) (C-3) ① CB33 (+5M), ② CB33 (/RES)



IC30: M30878FJBGFP Single chip 16/32-bit microprocessor



IC32: R1154H058B-T1-F Voltage regulator

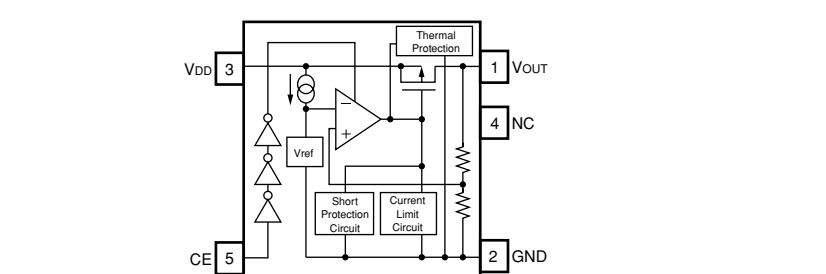
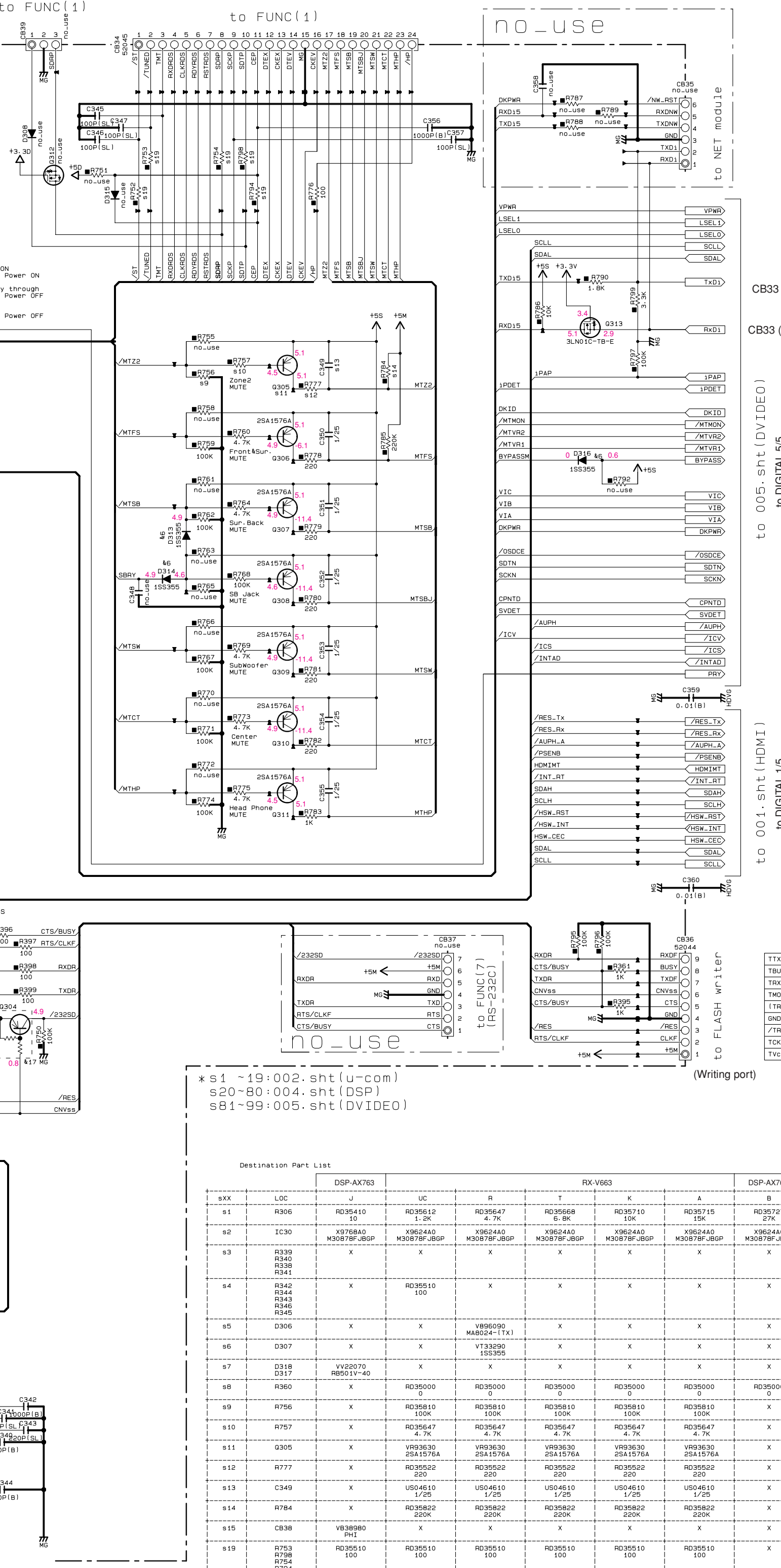
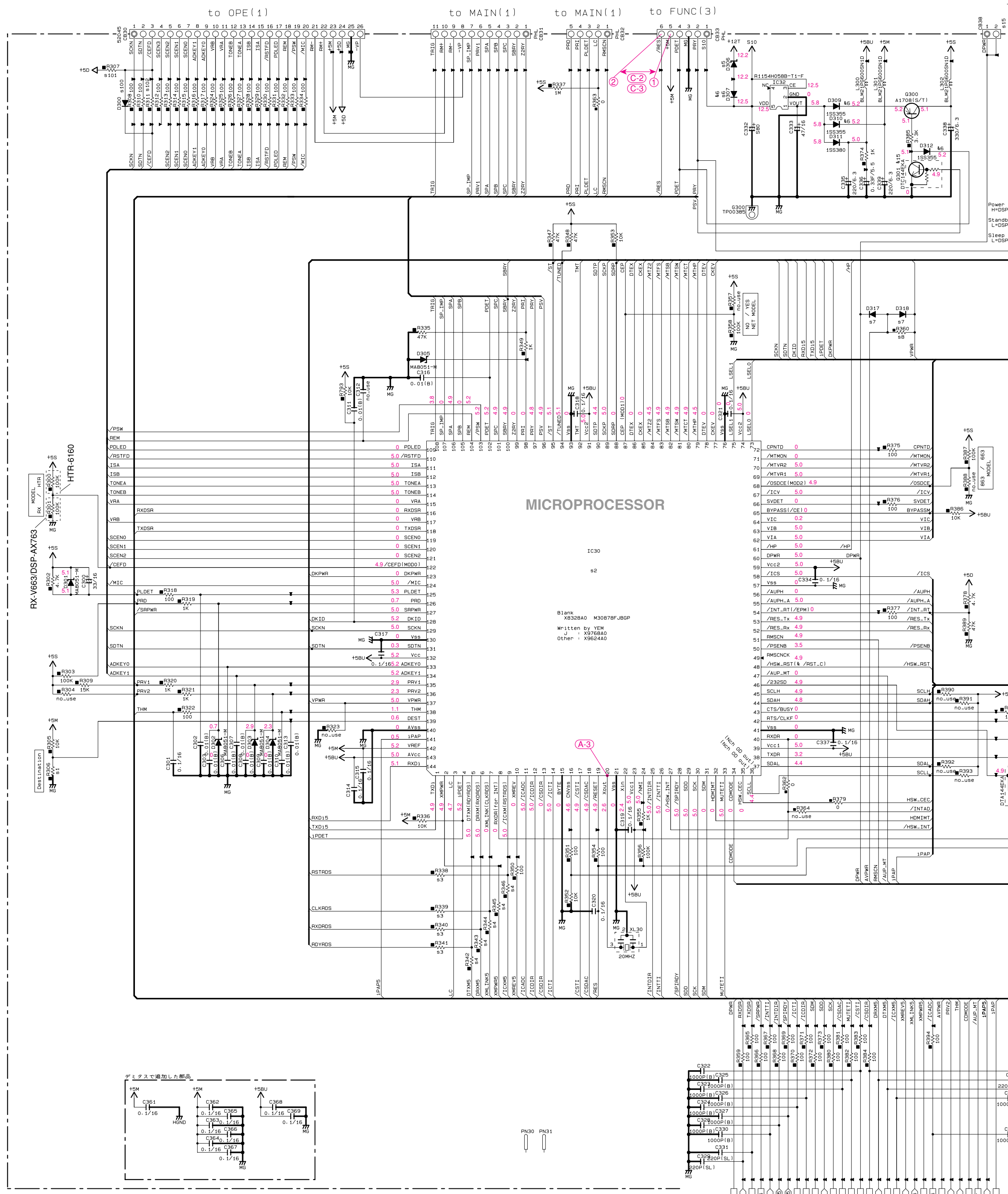


Table with 5 columns: Pin No., Symbol, Output Pin or Voltage Regulator, Description. It lists pins 1 through 5 and their functions.



\* s1-19:002.sht(u-com) s20-80:004.sht(DSP) s81-99:005.sht(DVIDE0)

Destination Part List table with columns for Part No., Loc, and various component values and part numbers across different models.

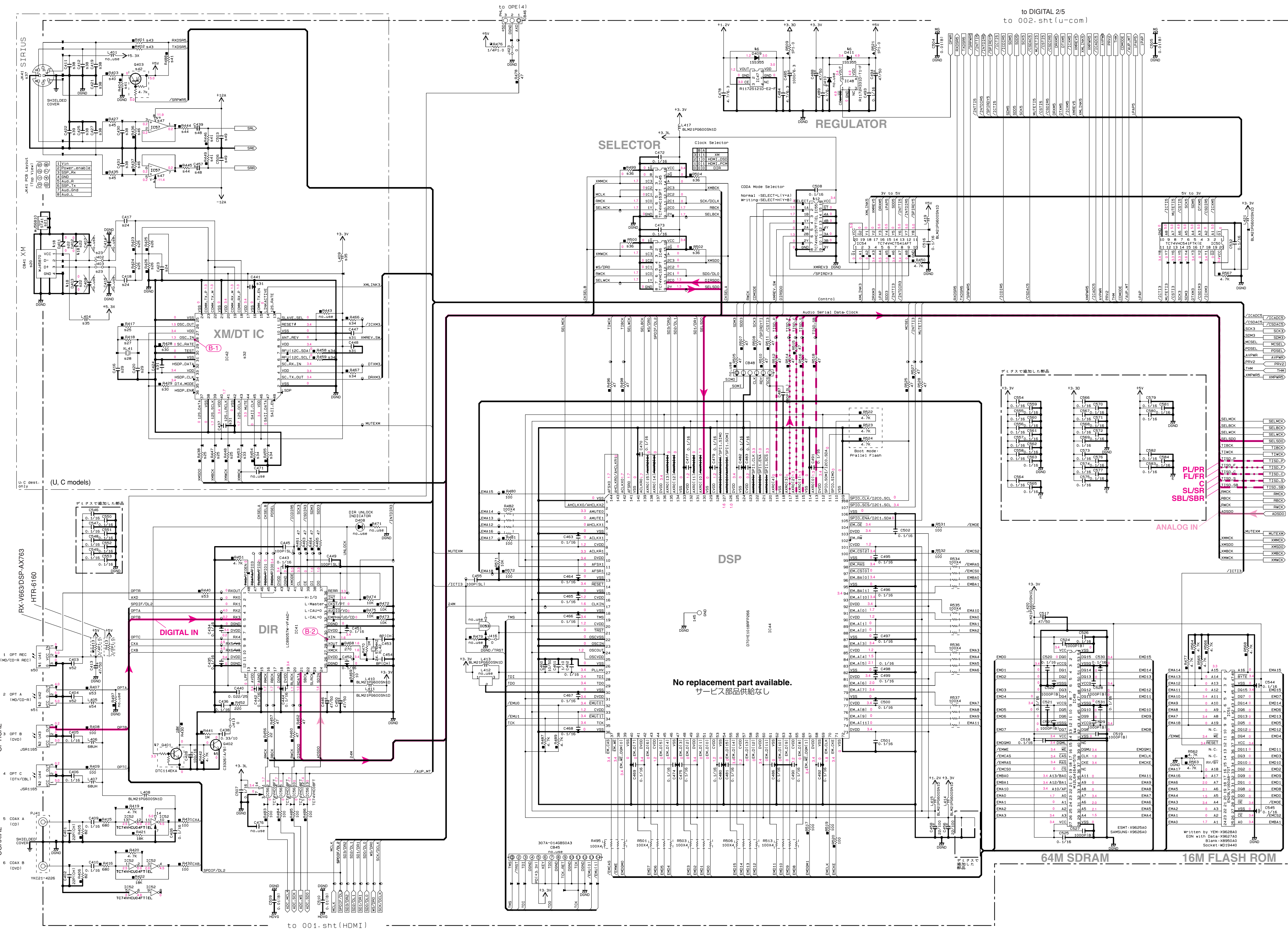
All voltages are measured with a 10M $\Omega$ /V DC electronic voltmeter. Components having special characteristics are marked !, and must be replaced with parts having specifications equal to those originally installed. Schematic diagram is subject to change without notice.

電圧は、内部抵抗10M $\Omega$ の電圧計で測定したものです。●印のある部品は、安全性確保部品を示しています。部品の交換が必要な場合、パーツリストに記載されている部品を使用してください。●本回路図は標準回路図です。改良のため予告なく変更することがございます。

Table with 2 columns: Remarks, Parts Name. Lists various capacitor types like electrolytic, tantalum, ceramic, etc.

Table with 2 columns: Remarks, Parts Name. Lists various resistor types like carbon film, metal oxide, etc.

DIGITAL 3/5



s1 ~19:002.sht(u-com)  
 \*s20-80:004.sht(DSP)  
 s81-99:005.sht(DVIDEO)

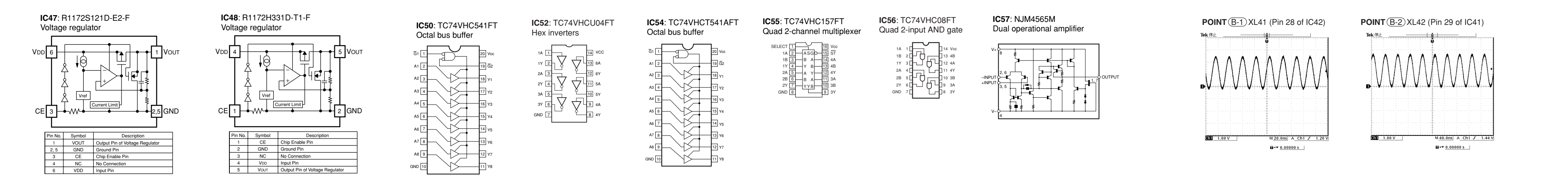
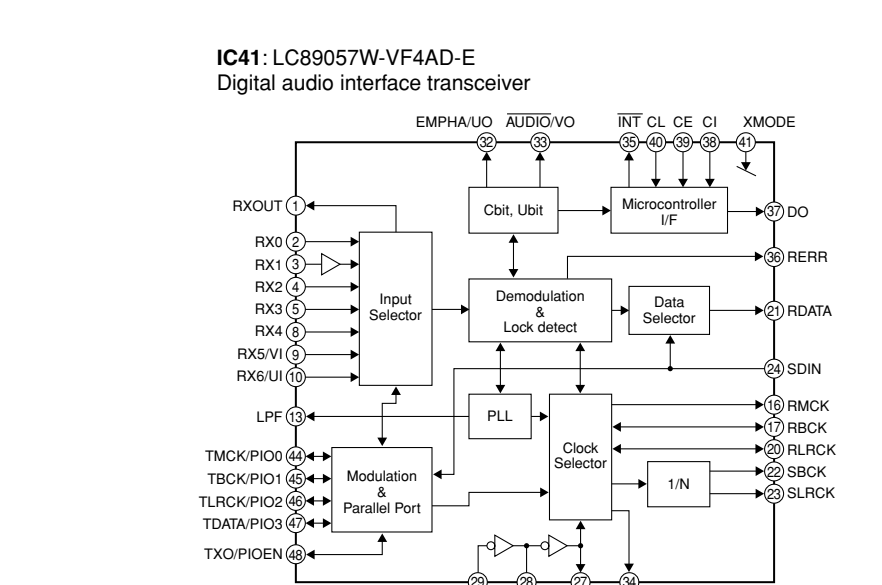
Destination Part List

LOC	DSP AX763	RX-V663/HTR-6160	RX-V663 HTR-6160	DSP AX763	RX-V663 HTR-6160	RX-V663 HTR-6160
001	001	001	001	001	001	001
002	002	002	002	002	002	002
003	003	003	003	003	003	003
004	004	004	004	004	004	004
005	005	005	005	005	005	005
006	006	006	006	006	006	006
007	007	007	007	007	007	007
008	008	008	008	008	008	008
009	009	009	009	009	009	009
010	010	010	010	010	010	010
011	011	011	011	011	011	011
012	012	012	012	012	012	012
013	013	013	013	013	013	013
014	014	014	014	014	014	014
015	015	015	015	015	015	015
016	016	016	016	016	016	016
017	017	017	017	017	017	017
018	018	018	018	018	018	018
019	019	019	019	019	019	019
020	020	020	020	020	020	020
021	021	021	021	021	021	021
022	022	022	022	022	022	022
023	023	023	023	023	023	023
024	024	024	024	024	024	024
025	025	025	025	025	025	025
026	026	026	026	026	026	026
027	027	027	027	027	027	027
028	028	028	028	028	028	028
029	029	029	029	029	029	029
030	030	030	030	030	030	030
031	031	031	031	031	031	031
032	032	032	032	032	032	032
033	033	033	033	033	033	033
034	034	034	034	034	034	034
035	035	035	035	035	035	035
036	036	036	036	036	036	036
037	037	037	037	037	037	037
038	038	038	038	038	038	038
039	039	039	039	039	039	039
040	040	040	040	040	040	040
041	041	041	041	041	041	041
042	042	042	042	042	042	042
043	043	043	043	043	043	043
044	044	044	044	044	044	044
045	045	045	045	045	045	045
046	046	046	046	046	046	046
047	047	047	047	047	047	047
048	048	048	048	048	048	048
049	049	049	049	049	049	049
050	050	050	050	050	050	050
051	051	051	051	051	051	051
052	052	052	052	052	052	052
053	053	053	053	053	053	053
054	054	054	054	054	054	054

REMARKS PARTS NAME

REMARKS	PARTS NAME	REMARKS	PARTS NAME
ND MARK	ELECTROLYTIC CAPACITOR	ND MARK	ELECTROLYTIC CAPACITOR
ND MARK	INITIAL CAPACITOR	ND MARK	INITIAL CAPACITOR
ND MARK	CERAMIC CAPACITOR	ND MARK	CERAMIC CAPACITOR
ND MARK	CERAMIC TUBULAR CAPACITOR	ND MARK	CERAMIC TUBULAR CAPACITOR
ND MARK	POLYESTER FILM CAPACITOR	ND MARK	POLYESTER FILM CAPACITOR
ND MARK	POLYPROPYLENE FILM CAPACITOR	ND MARK	POLYPROPYLENE FILM CAPACITOR
ND MARK	PERFOXIDE CERAMIC CAPACITOR	ND MARK	PERFOXIDE CERAMIC CAPACITOR
ND MARK	POLYETHYLENE SULFIDE FILM CAPACITOR	ND MARK	POLYETHYLENE SULFIDE FILM CAPACITOR

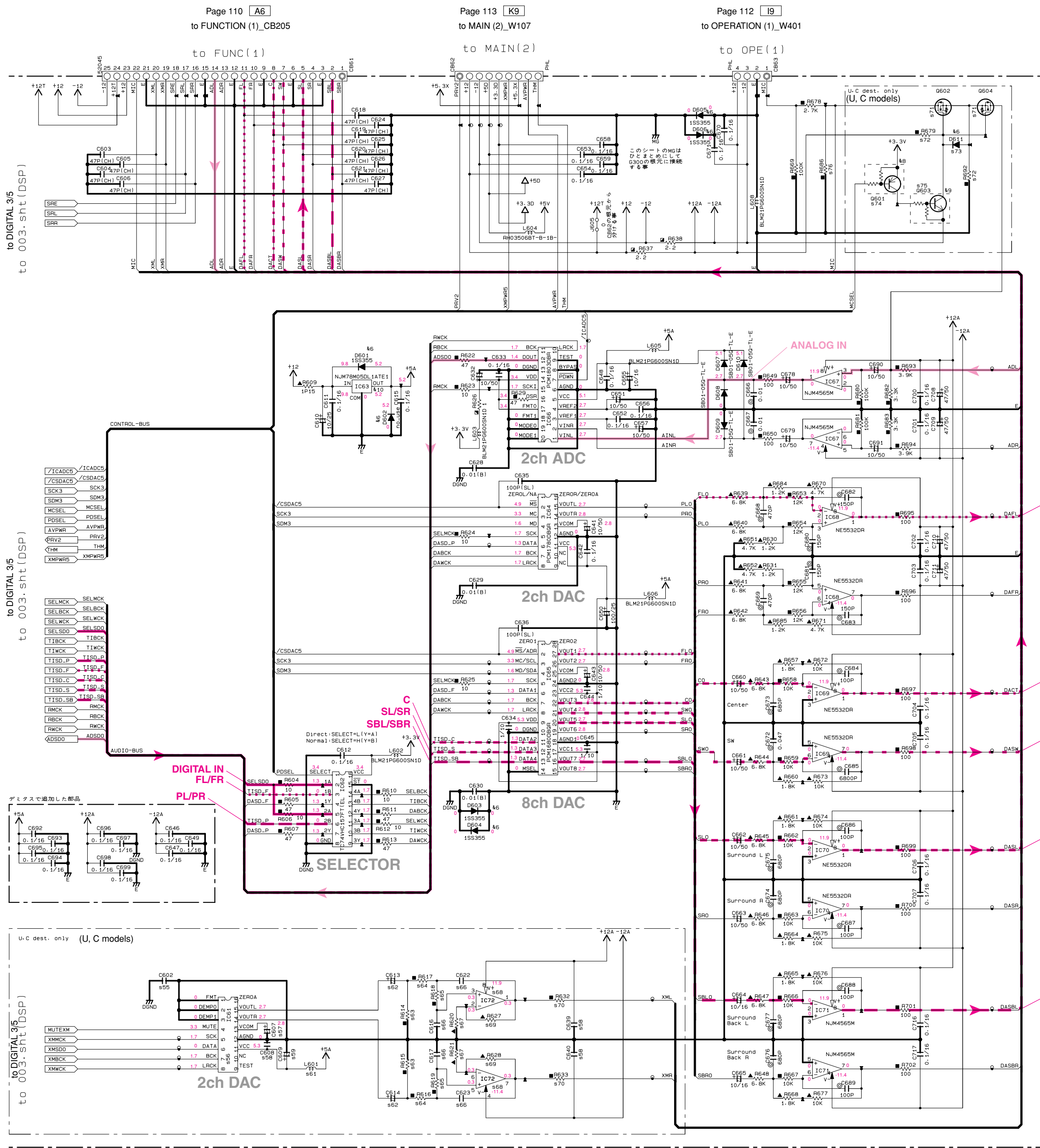
NOTICE (note1)  
 (J) JAPAN  
 (U) U.S.A.  
 (C) CANADA  
 (G) GENERAL  
 (T) CHINA  
 (K) KOREA  
 (X) AUSTRALIA  
 (A) AUSTRALIA  
 (B) BRITISH  
 (E) EUROPE  
 (L) SINGAPORE  
 (E) SOUTH EUROPE  
 (V) TAIWAN  
 (F) RUSSIAN



\* All voltages are measured with a 10MΩ/V DC electronic voltmeter.  
 \* Components having special characteristics are marked with a triangle and must be replaced with parts having specifications equal to those originally installed.  
 \* Schematic diagram is subject to change without notice.

● 電圧は、内部抵抗10MΩの電圧計で測定したものです。  
 ● 印のある部品は、安全確保部品を示しています。部品の交換が必要な場合、パーツリストに記載されている部品を使用してください。  
 ● 本回路図は標準回路図です。改良のため予告なく変更することがございます。

DIGITAL 4/5



Interchangeable Parts at Manufacture-Stage

Mark	Reference Parts Number	Parts Name
41	U41	UJT1165 GP1FAY51K0F
42	U42-44	UJ1165 GP1FAY51K0F
43		
44	IC49	M12L64164A-STG K45641632K-UC0000
45	Q402	2SC3321A(B) 2SC3328(B) 2SC5081A(B) 2SD2704K(I) 2SD1308F1ST KTC2875-B
46	D112, 150, 152-154, 156, 162 300, 307, 309, 310, 313-314 316, 409, 411, 601 603-606, 611, 800-805 809, 811-814, 820	ISS395 M4U1150L KDS160-RTK/P 2-7K
47	Q401	DT11464K KRC1045-RTK/P
48	Q601	DTA1464K KRA1025-RTK/P
49	Q603	DT12464K KRC1035-RTK/P
410	IC63	NJM78M05DL1ATE1 K1A78M5P
411		
412		
413		
414		
415	Q108-111, 301	DT1464K KRC1045-RTK/P
416		
417	Q304	DTA1464K KRA1025-RTK/P
418	D401-403	AVR1161A1N1TB SDV1608-100C9V9T
419		

s1 ~19:002.sht(u-com)  
s20-80:004.sht(DSP)  
s81-99:005.sht(DVIDEO)

Destination Part List

sxx	LOC	DSP-AX763	RX-V663HTR-6160	RX-V663	DSP-AX763	RX-V663HTR-6160	RX-V663	HTR-6160
955	C602	X	U906410 0-01181	X	X	X	X	X
956	IC61	X	Q7378A PCN178108GR	X	X	X	X	X
957	C607	X	UR93710 0-1718	X	X	X	X	X
958	C640 C608 C639	X	US13610 0-1718	X	X	X	X	X
959	C609	X	UR93710 0-1718	X	X	X	X	X
960	L601	X	Q94990 BLM21P0600N10	X	X	X	X	X
962	CE13 CE14	X	UR93747 47718	X	X	X	X	X
963	RE15 RE14	X	RD35710 10	X	X	X	X	X
964	RE17 RE16	X	RD36639 3.9K	X	X	X	X	X
965	RE18 RE19	X	RD36627 2-7K	X	X	X	X	X
966	CE22 CE16 CE17	X	US16310 1000P	X	X	X	X	X
967	RE20 RE21	X	RF30633 3.3K	X	X	X	X	X
968	IC72	X	X7378A NLM4569M	X	X	X	X	X
969	RE27 RE28	X	RF30615 1.5K	X	X	X	X	X
970	RE33 RE32	X	RD36610 1K	X	X	X	X	X
971	RE54 RE52	X	WR81410 5W0218-E	X	X	X	X	WR1641E 5W0218-E
972	RE59 RE79	X	RD36610 100K	X	X	X	X	RD36610 100K
973	DE11	X	VY33900 ISS395	X	X	X	X	VY33900 ISS395
974	DE01	X	VY95900 DTA1464K	X	X	X	X	VY95900 DTA1464K
975	DE03	X	VY95900 DT12464K	X	X	X	X	VY95900 DT12464K
976	RE86	RD36747 47K	X	RD36747 47K	RD36747 47K	RD36747 47K	RD36747 47K	RD36747 47K

CAPACITOR

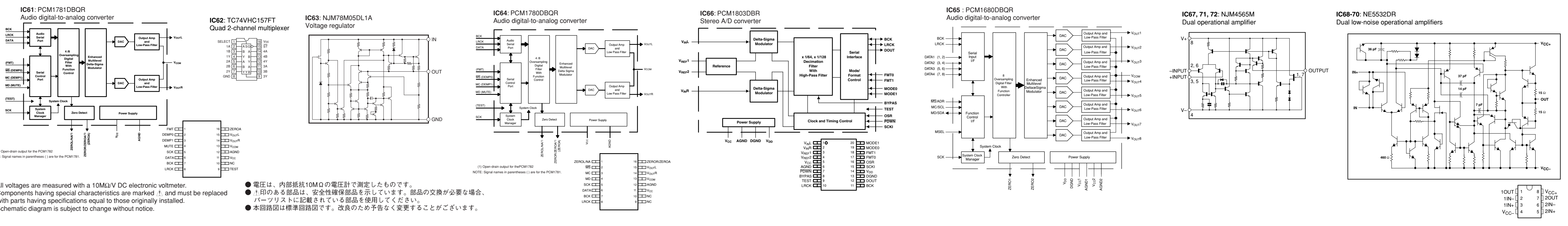
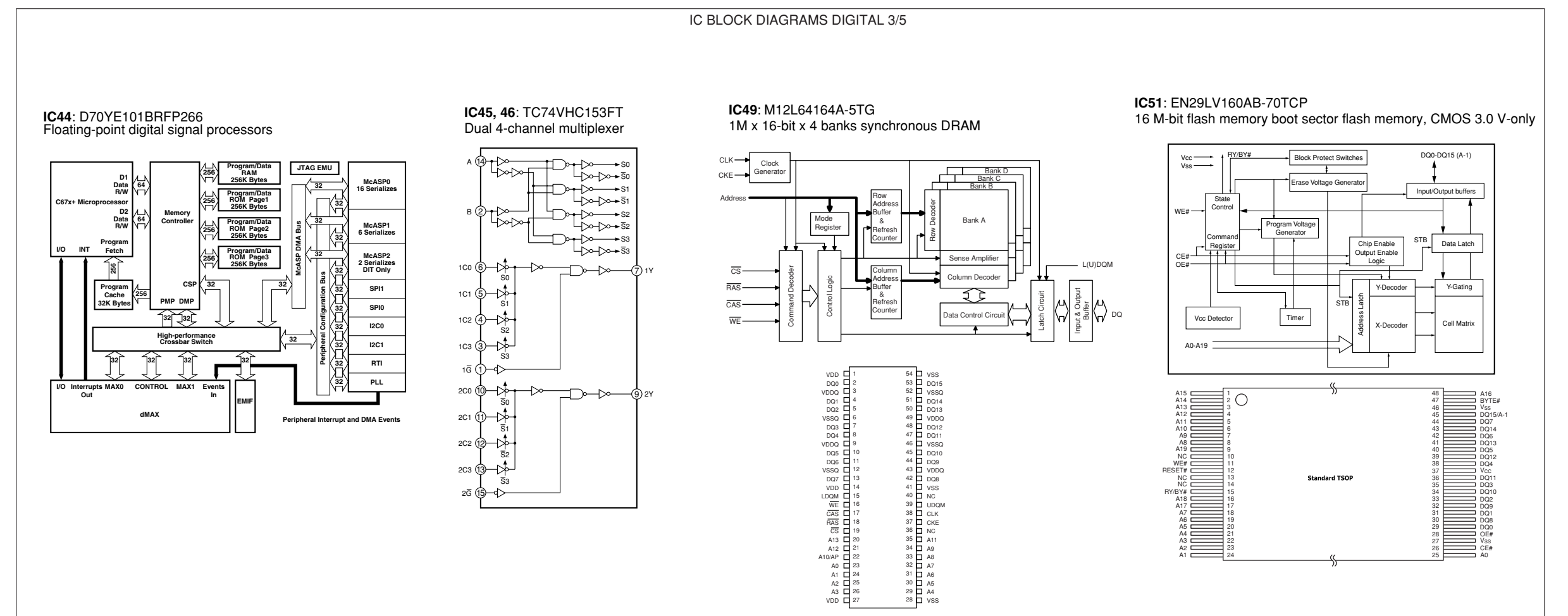
REMARKS	PARTS NAME
NO MARK	ELECTROLYTIC CAPACITOR
NO MARK	TANTALUM CAPACITOR
NO MARK	CERAMIC CAPACITOR
⊖	CERAMIC TUBULAR CAPACITOR
⊙	POLYESTER FILM CAPACITOR
⊕	POLYSTYRENE FILM CAPACITOR
⊗	POLYPROPYLENE FILM CAPACITOR
⊘	POLYPHENYLENE SULFIDE FILM CAPACITOR

RESISTOR

REMARKS	PARTS NAME
NO MARK	CARBON FILM RESISTOR [P=5]
⊖	METAL OXIDE FILM RESISTOR
⊙	CERAMIC TUBULAR RESISTOR
⊕	METAL FILM RESISTOR
⊗	METAL PLATE RESISTOR
⊘	FIRE PROOF CARBON FILM RESISTOR
⊙	MICA CAPACITOR
⊕	CEMENT MOLDED RESISTOR
⊗	SEMI VARIABLE RESISTOR
⊘	CHIP RESISTOR

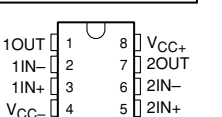
NOTICE (model)

(J)..... JAPAN  
(U)..... U.S.A  
(C)..... CANADA  
(R)..... GENERAL  
(T)..... CHINA  
(K)..... KOREA  
(A)..... AUSTRALIA  
(B)..... BRITISH  
(E)..... EUROPE  
(L)..... SINGAPORE  
(V)..... SOUTH EUROPE  
(F)..... TAIWAN  
(R)..... RUSSIAN



\* All voltages are measured with a 10MQ/V DC electronic voltmeter.  
\* Components having special characteristics are marked with a triangle and must be replaced with parts having specifications equal to those originally installed.  
\* Schematic diagram is subject to change without notice.

● 電圧は、内部抵抗10MQの電圧計で測定したものです。  
● 印のある部品は、安全性確保部品を示しています。部品の交換が必要な場合、パーツリストに記載されている部品を使用してください。  
● 本回路図は標準回路図です。改良のため予告なく変更することがございます。



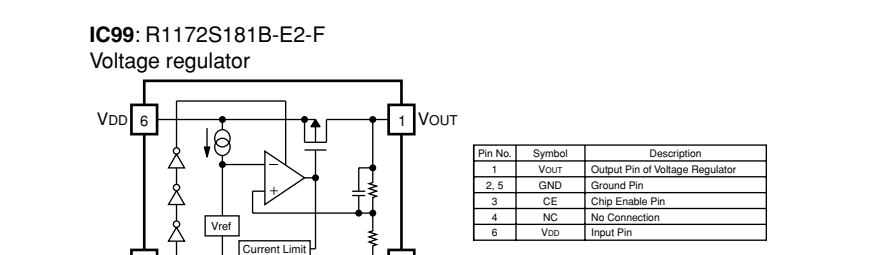
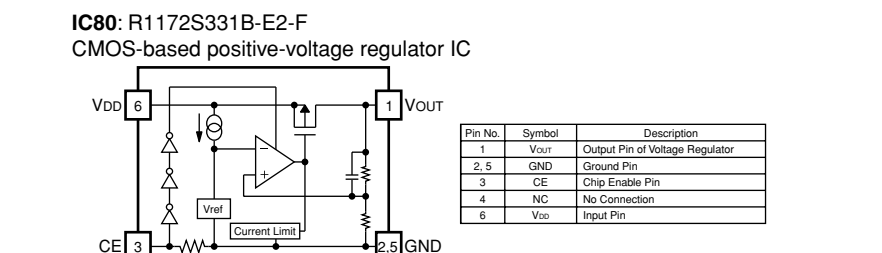
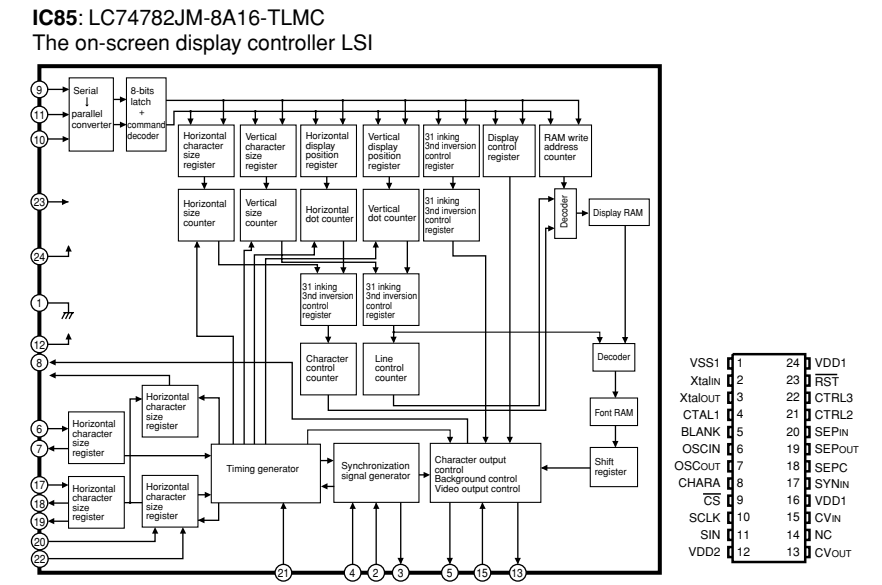
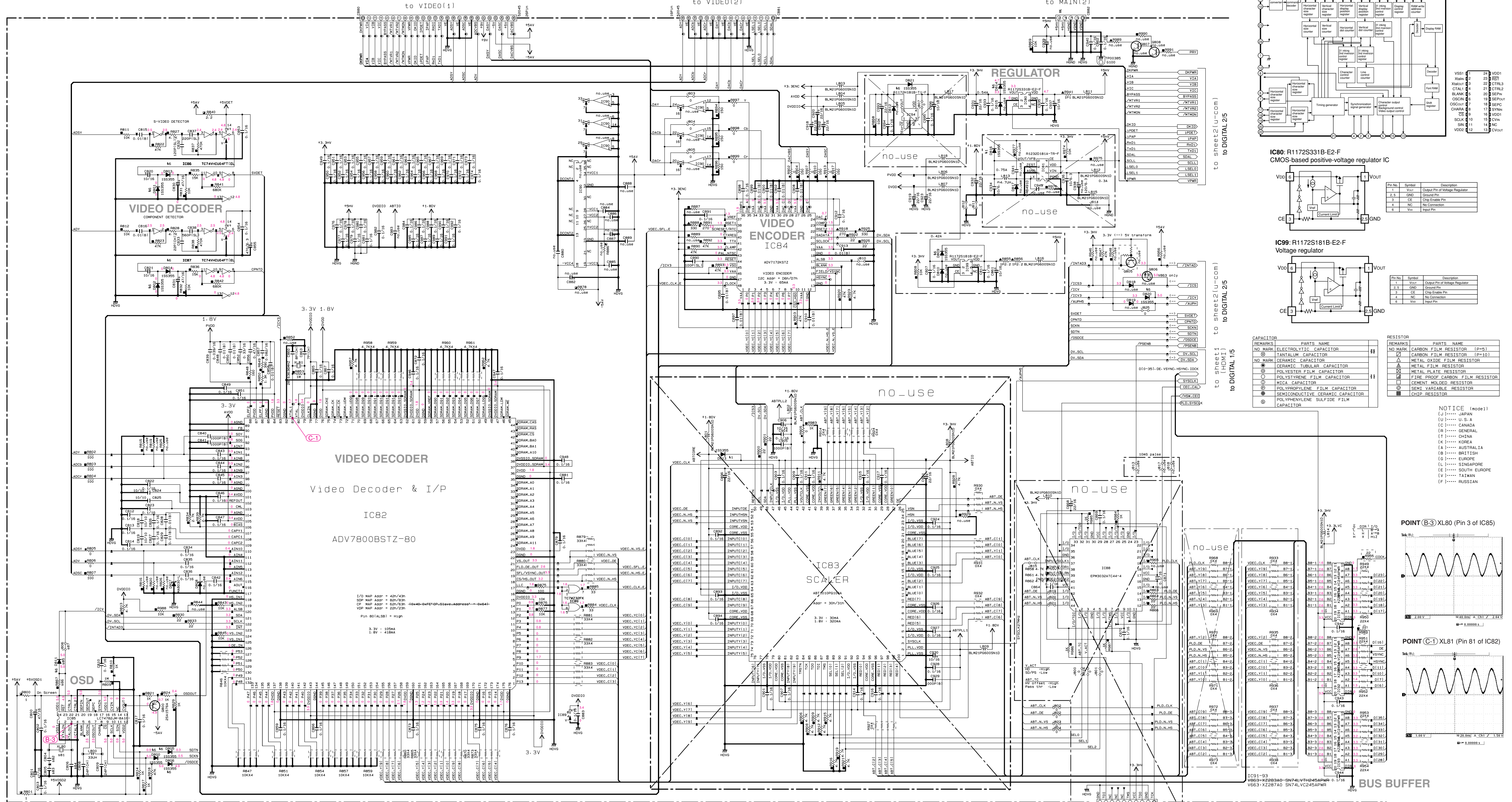


DIGITAL 5/5

Page 114 [K6] to VIDEO (1)\_CB305

Page 115 [I9] to VIDEO (2)\_CB356

Page 113 [K8] to MAIN (2)\_W109

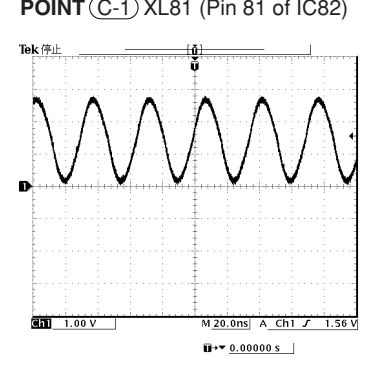
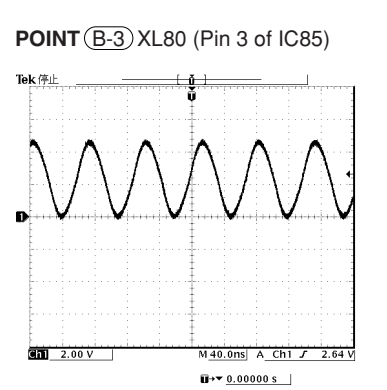


CAPACITOR

REMARKS	PARTS NAME	REMARKS	PARTS NAME
NO MARK	ELECTROLYTIC CAPACITOR	NO MARK	CARBON FILM RESISTOR (P=5)
NO MARK	TANTALUM CAPACITOR	NO MARK	CARBON FILM RESISTOR (P=10)
NO MARK	CERAMIC CAPACITOR	NO MARK	METAL OXIDE FILM RESISTOR
NO MARK	CERAMIC TUBE-LAS. CAPACITOR	NO MARK	METAL FILM RESISTOR
NO MARK	POLYESTER FILM CAPACITOR	NO MARK	POLYMER CARBON FILM RESISTOR
NO MARK	POLYPROPYLENE FILM CAPACITOR	NO MARK	METAL PLATE RESISTOR
NO MARK	MICA CAPACITOR	NO MARK	FINE TUNING CARBON FILM RESISTOR
NO MARK	POLYPROPYLENE FILM CAPACITOR	NO MARK	CEMENT MOUNTED RESISTOR
NO MARK	SEMICONDUCTIVE CERAMIC CAPACITOR	NO MARK	SEM. VARIABLE RESISTOR
NO MARK	POLYPHENYLENE SULFIDE FILM CAPACITOR	NO MARK	CHIP RESISTOR

NOTICE (node1)

(J) JAPAN  
 (U) U.S.A.  
 (C) CANADA  
 (G) GENERAL  
 (I) CHINA  
 (K) KOREA  
 (A) AUSTRALIA  
 (B) BRITISH  
 (E) EUROPE  
 (S) SINGAPORE  
 (V) TAIWAN  
 (R) RUSSIAN



s1 -19:002.sht[u-com]  
 s20-80:004.sht [DSP]  
 \* s81-99:005.sht [DVIDEO]

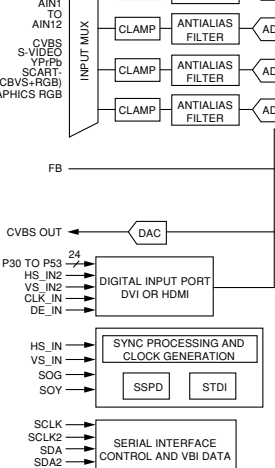
LOC	DSP AX763	RX V663	DSP AX763	RX V663	DSP AX763	RX V663
881	XL80	4K300000	4K300000	4K300000	4K300000	4K300000
882	CR84	US06020	US06020	US06020	US06020	US06020
883	CR85	US06110	US06110	US06110	US06110	US06110
884	CR86	US06020	US06020	US06020	US06020	US06020
885	CR87	VT33200	VT33200	VT33200	VT33200	VT33200
886	CR87	RE02047	RE02047	RE02047	RE02047	RE02047
887	CR88	RD05500	RD05500	RD05500	RD05500	RD05500

DVIDEO  
 CB/IC/XL:80 -99  
 OTHER :800-999

DIGITAL (5)

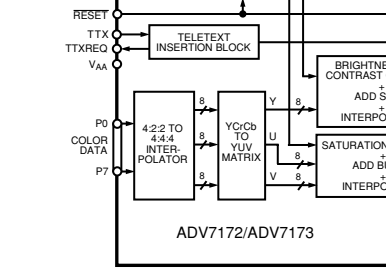
IC84: ADV7800BSTZ-80

10-bit, SDTV/HDTV 3D comb filter, video decoder and graphics digitizer



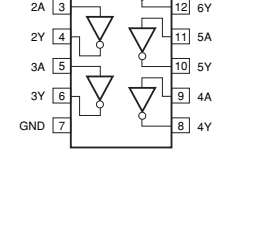
IC84: ADV712KSTZ

Digital PAL/NTSC video encoder



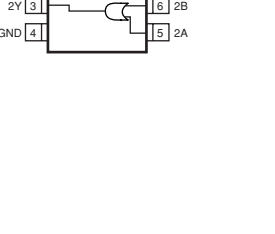
IC86, 87: TC74VHC04FT

Dual 2-input OR gate



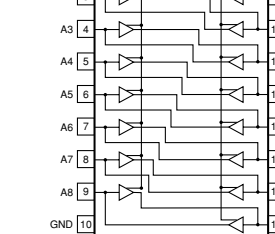
IC89: TC7V232FK (TE85L, F)

Octal 2-input OR gate



IC91-93: SN74LVC245APWR

Octal bus transceivers with 3-state outputs

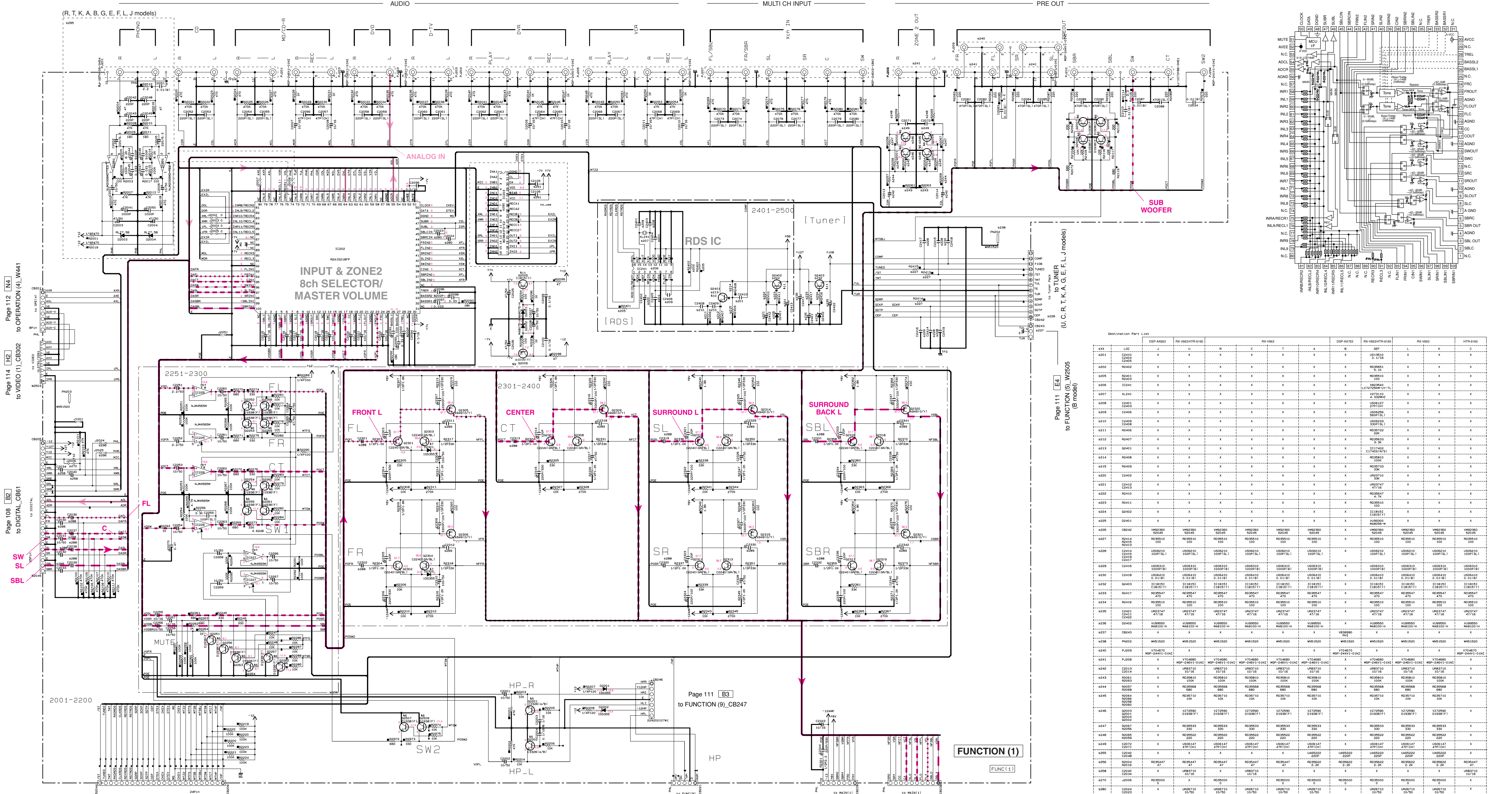


\* All voltages are measured with a 10MΩ/V DC electronic voltmeter.  
 \* Components having special characteristics are marked with a triangle (▲), and must be replaced with parts having specifications equal to those originally installed.  
 \* Schematic diagram is subject to change without notice.

● 電圧は、内部抵抗10MΩの電圧計で測定したものです。  
 ● ▲印のある部品は、安全性確保部品を示しています。部品の交換が必要な場合、パーツリストに記載されている部品を使用してください。  
 ● 本回路図は標準回路図です。改良のため予告なく変更することがございます。

FUNCTION 1/2

IC202: R2A15218FP  
8-channel electronic volume with 11 input selector and tone control



Page 112 [N4] to OPERATION (4)\_W441

Page 114 [H2] to VIDEO (1)\_CB302

Page 108 [B2] to DIGITAL\_CB61

Page 106 [I2] to DIGITAL\_CB34

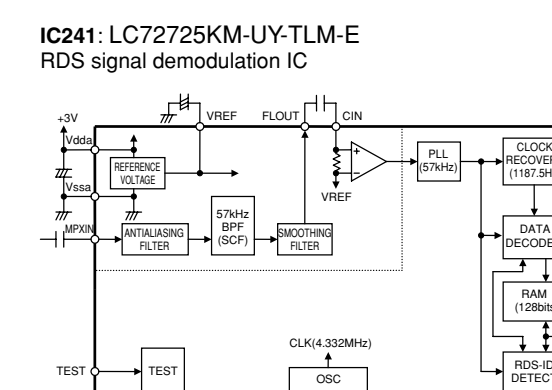
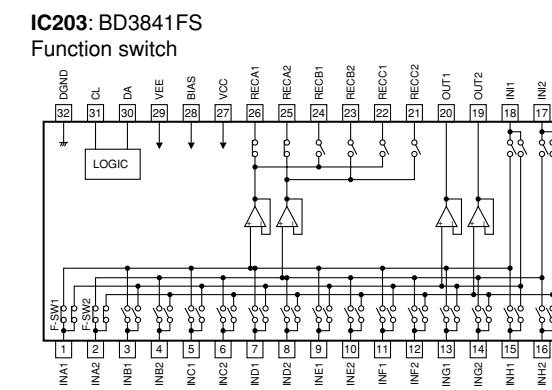
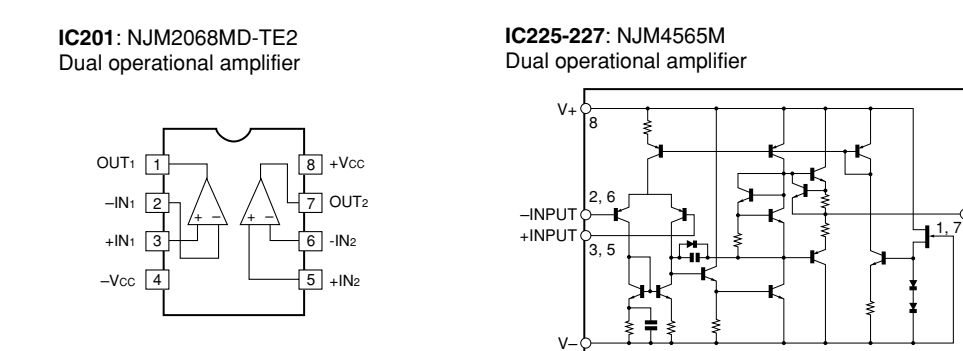
Page 111 [B3] to FUNCTION (9)\_CB247

Page 112 [J9] to OPERATION (1)\_W402

Page 113 [B10] to MAIN (1)\_W106

Page 113 [B4] to MAIN (1)\_W105

Page 111 [E4] to FUNCTION (5)\_W2505 (B model)



COMPONENT	VALUE	MANUFACTURER	REMARKS
RESISTOR	10K	DAIICHI	RESISTOR
CAPACITOR	100N	DAIICHI	CAPACITOR
...	...	...	...

★ All voltages are measured with a 10MΩ/V DC electronic voltmeter.  
 ★ Components having special characteristics are marked with \* and must be replaced with parts having specifications equal to those originally installed.  
 ★ Schematic diagram is subject to change without notice.

● 電圧は、内部抵抗10MΩの電圧計で測定したものです。  
 ● \*印のある部品は、安全性確保部品を示しています。部品の交換が必要な場合、パーツリストに記載されている部品を使用してください。  
 ● 本回路図は標準回路図です。改良のため予告なく変更することがございます。

Part No.	LOC	QTY	U	V	W	X	Y	Z	AA	AB	AC	AD	AE	AF	AG	AH	AI	AJ	AK	AL	AM	AN	AO	AP	AQ	AR	AS	AT	AU	AV	AW	AX	AY	AZ	BA	BB	BC	BD	BE	BF	BG	BH	BI	BJ	BK	BL	BM	BN	BO	BP	BQ	BR	BS	BT	BV	BW	BX	BY	BZ	CA	CB	CC	CD	CE	CF	CG	CH	CI	CJ	CK	CL	CM	CN	CO	CP	CQ	CR	CS	CT	CU	CV	CW	CX	CY	CZ	DA	DB	DC	DD	DE	DF	DG	DH	DI	DJ	DK	DL	DM	DN	DO	DP	DQ	DR	DS	DT	DV	DW	DX	DY	DZ	EA	EB	EC	ED	EE	EF	EG	EH	EI	EJ	EK	EL	EM	EN	EO	EP	EQ	ER	ES	ET	EU	EV	EW	EX	EY	EZ	FA	FB	FC	FD	FE	FF	FG	FH	FI	FJ	FK	FL	FM	FN	FO	FP	FQ	FR	FS	FT	FV	FW	FX	FY	FZ	GA	GB	GC	GD	GE	GF	GG	GH	GI	GJ	GK	GL	GM	GN	GO	GP	GQ	GR	GS	GT	GV	GW	GX	GY	GZ	HA	HB	HC	HD	HE	HF	HG	HH	HI	HJ	HK	HL	HM	HN	HO	HP	HQ	HR	HS	HT	HV	HW	HX	HY	HZ	IA	IB	IC	ID	IE	IF	IG	IH	II	IJ	IK	IL	IM	IN	IO	IP	IQ	IR	IS	IT	IV	IW	IX	IY	IZ	JA	JB	JC	JD	JE	JF	JG	JH	JI	IJ	JK	JL	JM	JN	JO	JP	JQ	JR	JS	JT	JV	JW	JX	JY	JZ	KA	KB	KC	KD	KE	KF	KG	KH	KI	KJ	KK	KL	KM	KN	KO	KP	KQ	KR	KS	KT	KV	KW	KX	KY	KZ	LA	LB	LC	LD	LE	LF	LG	LH	LI	LJ	LK	LM	LN	LO	LP	LQ	LR	LS	LT	LV	LW	LX	LY	LZ	MA	MB	MC	MD	ME	MF	MG	MH	MI	MJ	MK	ML	MM	MN	MO	MP	MQ	MR	MS	MT	MV	MW	MX	MY	MZ	NA	NB	NC	ND	NE	NF	NG	NH	NI	NJ	NK	NL	NM	NN	NO	NP	NQ	NR	NS	NT	NV	NW	NX	NY	NZ	OA	OB	OC	OD	OE	OF	OG	OH	OI	OJ	OK	OL	OM	ON	OO	OP	OQ	OR	OS	OT	OV	OW	OX	OY	OZ	PA	PB	PC	PD	PE	PF	PG	PH	PI	PJ	PK	PL	PM	PN	PO	PP	PQ	PR	PS	PT	PV	PW	PX	PY	PZ	QA	QB	QC	QD	QE	QF	QG	QH	QI	QJ	QK	QL	QM	QN	QO	QP	QQ	QR	QS	QT	QV	QW	QX	QY	QZ	RA	RB	RC	RD	RE	RF	RG	RH	RI	RJ	RK	RL	RM	RN	RO	RP	RQ	RR	RS	RT	RV	RW	RX	RY	RZ	SA	SB	SC	SD	SE	SF	SG	SH	SI	SJ	SK	SL	SM	SN	SO	SP	SQ	SR	SS	ST	SV	SW	SX	SY	SZ	TA	TB	TC	TD	TE	TF	TG	TH	TI	TJ	TK	TL	TM	TN	TO	TP	TQ	TR	TS	TV	TW	TX	TY	TZ	UA	UB	UC	UD	UE	UF	UG	UH	UI	UJ	UK	UL	UM	UN	UO	UP	UQ	UR	US	UT	UV	UW	UX	UY	UZ	VA	VB	VC	VD	VE	VF	VG	VH	VI	VJ	VK	VL	VM	VN	VO	VP	VQ	VR	VS	VT	VV	VW	VX	VY	VZ	WA	WB	WC	WD	WE	WF	WG	WH	WI	WJ	WK	WL	WM	WN	WO	WP	WQ	WR	WS	WT	WV	WW	WX	WY	WZ	XA	XB	XC	XD	XE	XF	XG	XH	XI	XJ	XK	XL	XM	XN	XO	XP	XQ	XR	XS	XT	XV	XW	XX	XY	XZ	YA	YB	YC	YD	YE	YF	YG	YH	YI	YJ	YK	YL	YM	YN	YO	YP	YQ	YR	YS	YT	YV	YW	YX	YY	YZ	ZA	ZB	ZC	ZD	ZE	ZF	ZG	ZH	ZI	ZJ	ZK	ZL	ZM	ZN	ZO	ZP	ZQ	ZR	ZS	ZT	ZV	ZW	ZX	ZY	ZZ
----------	-----	-----	---	---	---	---	---	---	----	----	----	----	----	----	----	----	----	----	----	----	----	----	----	----	----	----	----	----	----	----	----	----	----	----	----	----	----	----	----	----	----	----	----	----	----	----	----	----	----	----	----	----	----	----	----	----	----	----	----	----	----	----	----	----	----	----	----	----	----	----	----	----	----	----	----	----	----	----	----	----	----	----	----	----	----	----	----	----	----	----	----	----	----	----	----	----	----	----	----	----	----	----	----	----	----	----	----	----	----	----	----	----	----	----	----	----	----	----	----	----	----	----	----	----	----	----	----	----	----	----	----	----	----	----	----	----	----	----	----	----	----	----	----	----	----	----	----	----	----	----	----	----	----	----	----	----	----	----	----	----	----	----	----	----	----	----	----	----	----	----	----	----	----	----	----	----	----	----	----	----	----	----	----	----	----	----	----	----	----	----	----	----	----	----	----	----	----	----	----	----	----	----	----	----	----	----	----	----	----	----	----	----	----	----	----	----	----	----	----	----	----	----	----	----	----	----	----	----	----	----	----	----	----	----	----	----	----	----	----	----	----	----	----	----	----	----	----	----	----	----	----	----	----	----	----	----	----	----	----	----	----	----	----	----	----	----	----	----	----	----	----	----	----	----	----	----	----	----	----	----	----	----	----	----	----	----	----	----	----	----	----	----	----	----	----	----	----	----	----	----	----	----	----	----	----	----	----	----	----	----	----	----	----	----	----	----	----	----	----	----	----	----	----	----	----	----	----	----	----	----	----	----	----	----	----	----	----	----	----	----	----	----	----	----	----	----	----	----	----	----	----	----	----	----	----	----	----	----	----	----	----	----	----	----	----	----	----	----	----	----	----	----	----	----	----	----	----	----	----	----	----	----	----	----	----	----	----	----	----	----	----	----	----	----	----	----	----	----	----	----	----	----	----	----	----	----	----	----	----	----	----	----	----	----	----	----	----	----	----	----	----	----	----	----	----	----	----	----	----	----	----	----	----	----	----	----	----	----	----	----	----	----	----	----	----	----	----	----	----	----	----	----	----	----	----	----	----	----	----	----	----	----	----	----	----	----	----	----	----	----	----	----	----	----	----	----	----	----	----	----	----	----	----	----	----	----	----	----	----	----	----	----	----	----	----	----	----	----	----	----	----	----	----	----	----	----	----	----	----	----	----	----	----	----	----	----	----	----	----	----	----	----	----	----	----	----	----	----	----	----	----	----	----	----	----	----	----	----	----	----	----	----	----	----	----	----	----	----	----	----	----	----	----	----	----	----	----	----	----	----	----	----	----	----	----	----	----	----	----	----	----	----	----	----	----	----	----	----	----	----	----	----	----	----	----	----	----	----	----	----	----	----	----	----	----	----	----	----	----	----	----	----	----	----	----	----	----	----	----	----	----	----	----	----	----	----	----	----	----	----	----	----	----	----	----	----	----	----	----	----	----	----	----	----	----	----	----	----	----	----	----	----	----	----	----	----	----	----	----	----	----	----	----	----	----	----	----	----	----

FUNCTION 2/2

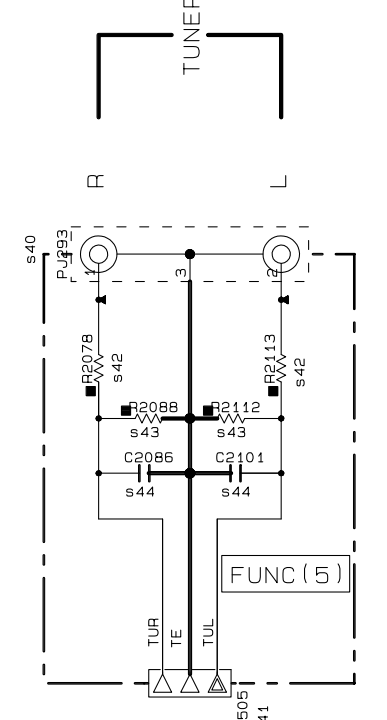
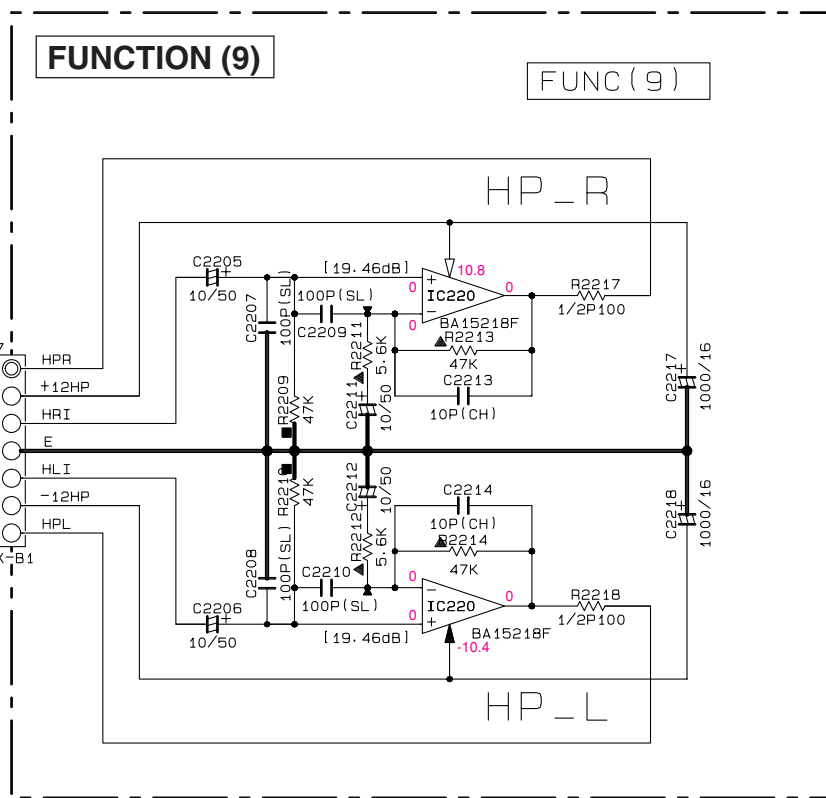
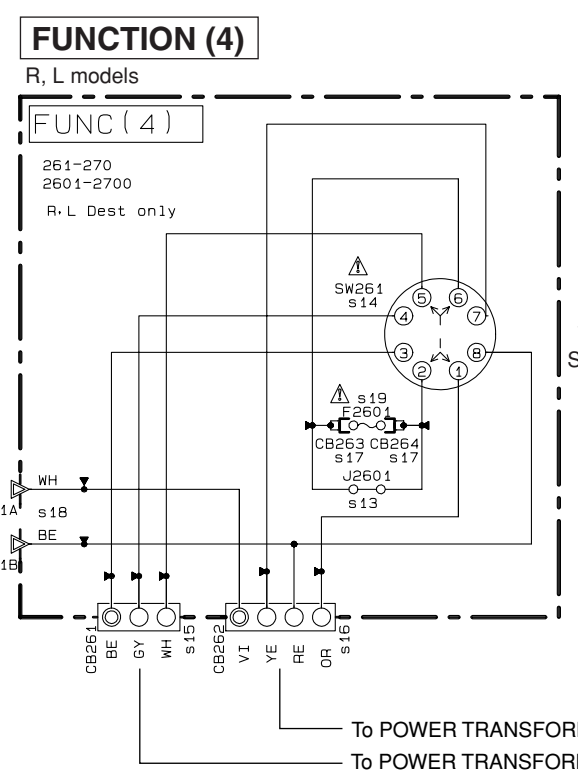
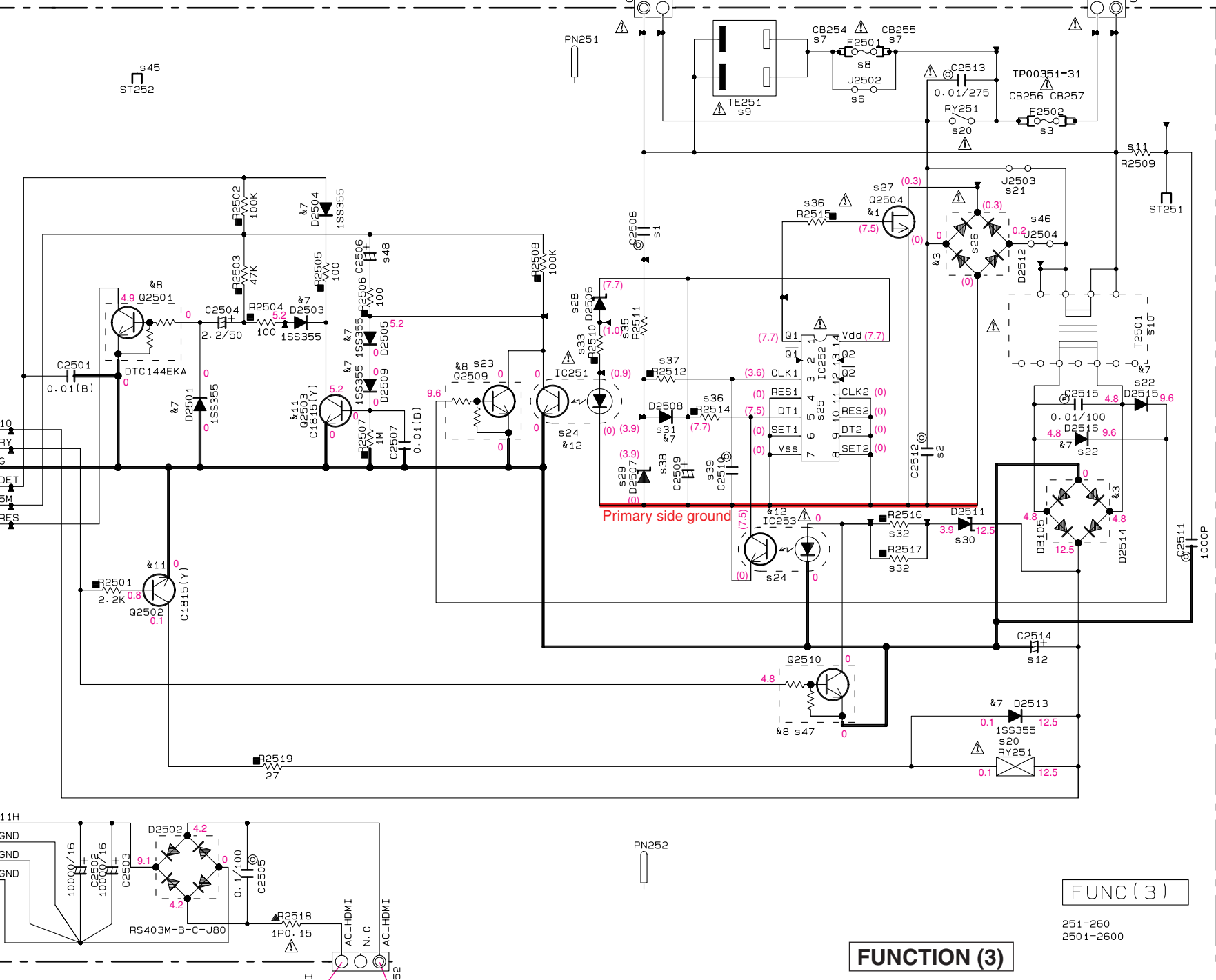
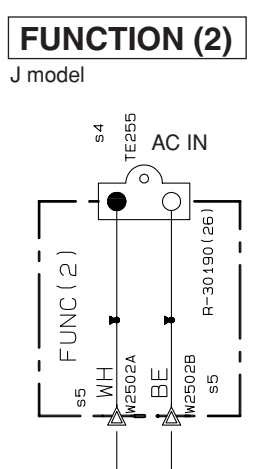
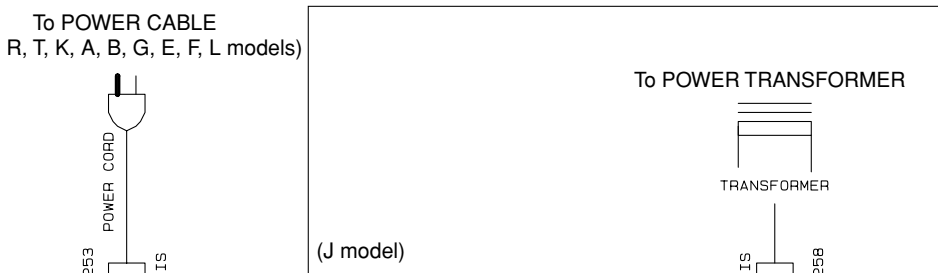
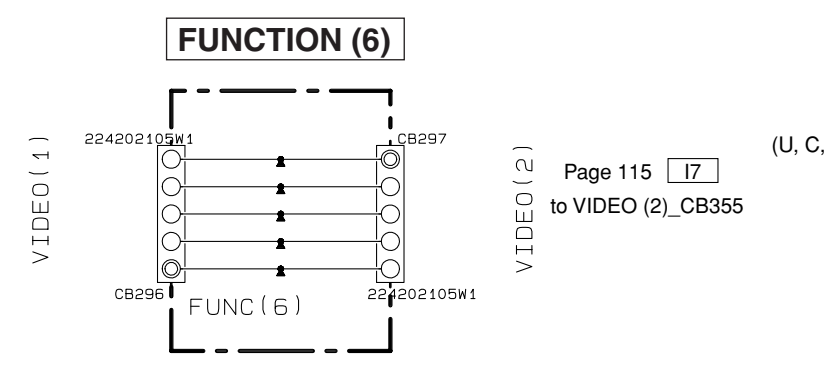


Table with 2 columns: REMARKS and PARTS NAME. Lists capacitor types such as ELECTROLYTIC CAPACITOR, TANTALUM CAPACITOR, CERAMIC CAPACITOR, etc.

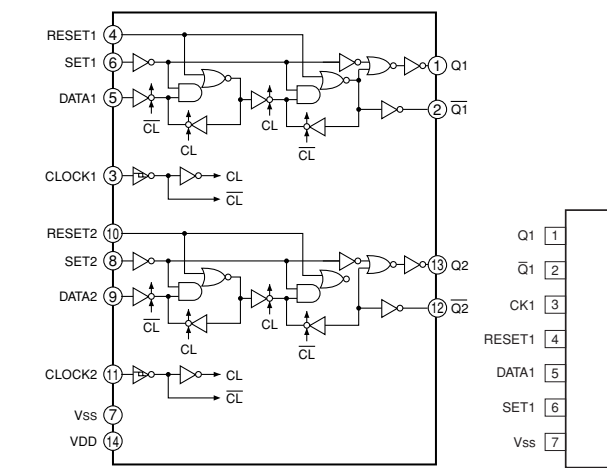
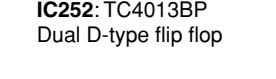
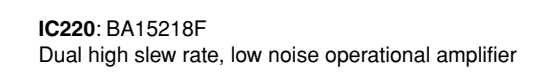
Table with 2 columns: REMARKS and PARTS NAME. Lists resistor types such as CARBON FILM RESISTOR (P=5), CARBON FILM RESISTOR (P=10), METAL OXIDE FILM RESISTOR, etc.

NOTICE (model) (J)..... JAPAN (U)..... U. S. A (C)..... CANADA (R)..... GENERAL (T)..... CHINA (K)..... KOREA (A)..... AUSTRALIA (B)..... BRITISH (G)..... EUROPE (L)..... SINGAPORE (E)..... SOUTH EUROPE (V)..... TAIWAN (F)..... RUSSIAN

Destination Part List table with columns for sXX, LOC, J, U, R, C, T, A, B, GEF, L, K. Lists various electronic components and their part numbers.



VOLTAGE SELECTOR table with columns for voltage (230-240V, 220V, 110V, 120V) and corresponding component values (1-2/5-6, 2-3/6-7, 3-4/7-8, 4-5/8-1).



Truth table for IC252: TC4013BP with columns for RESET, SET, DATA, CLK, Qn+1, Qn+1, Qn+1 and rows for H, L, L, L, L, L, L, L.

\* All voltages are measured with a 10MΩ/V DC electronic voltmeter. \* Components having special characteristics are marked with a triangle and must be replaced with parts having specifications similar to those originally installed. \* Schematic diagram is subject to change without notice. ●電圧は、内部抵抗10MΩの電圧計で測定したものです。 ●△印のある部品は、安全確保部品を示しています。部品の交換が必要な場合、パーツリストに記載されている部品を使用してください。 ●本回路図は標準回路図です。改良のため予告なく変更することがございます。

OPERATION

REMARKS	PARTS NAME
NO MARK	CARBON FILM RESISTOR (P=5)
⊠	CARBON FILM RESISTOR (P=10)
△	METAL OXIDE FILM RESISTOR
⊞	METAL FILM RESISTOR
⊞	METAL PLATE RESISTOR
⊞	FIRE PROOF CARBON FILM RESISTOR
⊞	CEMENT MOLDED RESISTOR
⊞	SEMI VARIABLE RESISTOR
⊞	CHIP RESISTOR

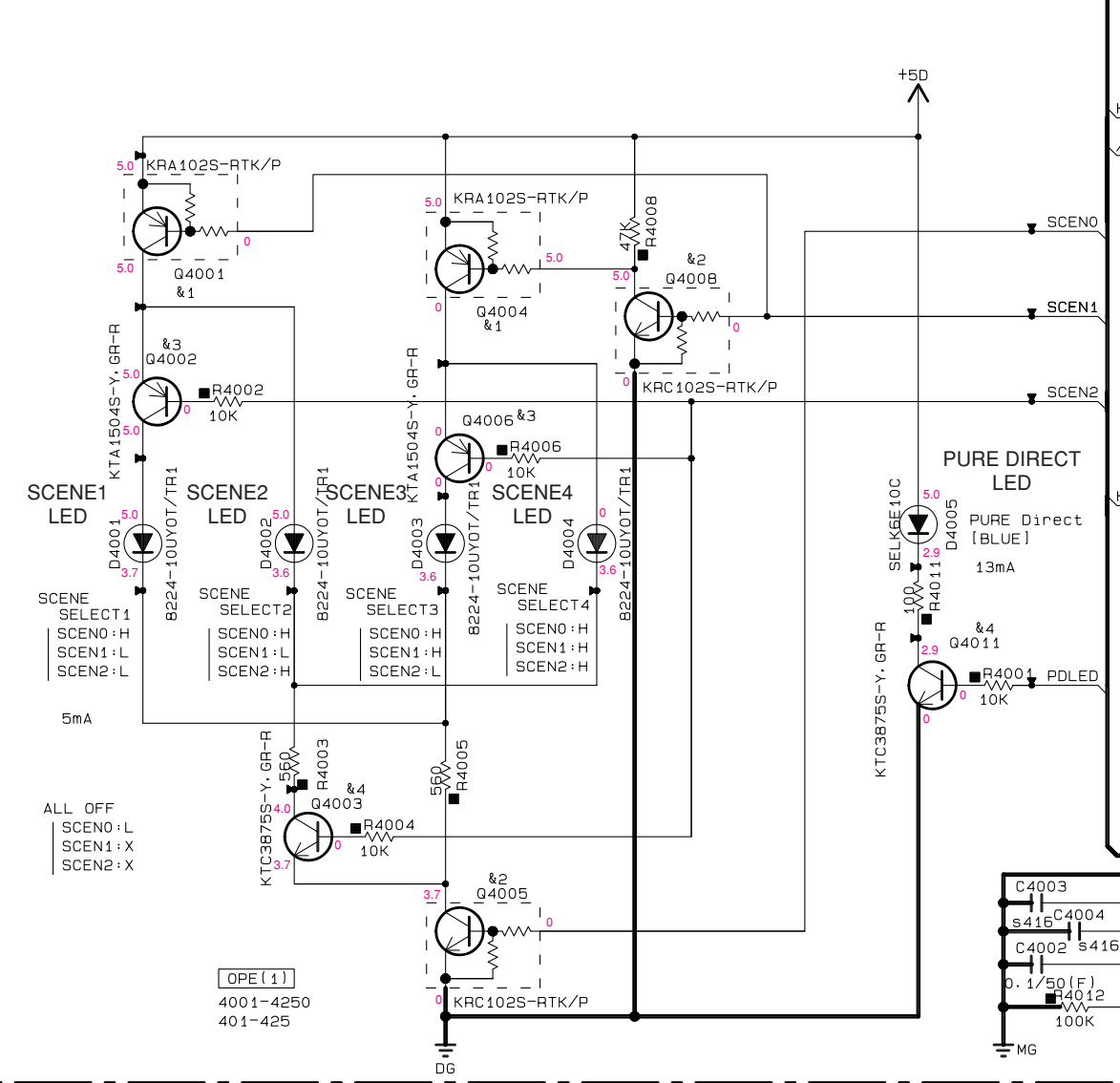
REMARKS	PARTS NAME
NO MARK	ELECTROLYTIC CAPACITOR
⊠	TANTALUM CAPACITOR
NO MARK	CERAMIC CAPACITOR
⊞	CERAMIC TUBULAR CAPACITOR
⊞	POLYESTER FILM CAPACITOR
⊞	POLYSTYRENE FILM CAPACITOR
⊞	MICA CAPACITOR
⊞	POLYPROPYLENE FILM CAPACITOR
⊞	SEMICONDUCTIVE CERAMIC CAPACITOR

NOTICE (model)  
 (J)..... JAPAN  
 (U)..... U.S.A  
 (C)..... CANADA  
 (R)..... GENERAL  
 (T)..... CHINA  
 (K)..... KOREA  
 (A)..... AUSTRALIA  
 (B)..... BRITISH  
 (G)..... EUROPE  
 (L)..... SINGAPORE  
 (E)..... SOUTH EUROPE  
 (V)..... TAIWAN  
 (F)..... RUSSIAN

Destination Part List	DSP-AX763	RX-V663	DSP-AX763	HTR-6160	
sXX	LOC	U CRTKAGEFL	B	UF	C
s402	SW415	WD48310	X	WD48310	WD48310
	SW419	SKRGAA010		SKRGAA010	SKRGAA010
	SW421				
	SW418				
	SW414				
	SW401				
	SW413				
	SW406				
s403	R4039	RD35633	X	RD35633	RD35633
		3.3K		3.3K	3.3K
s404	R4045	RD35647	X	RD35647	RD35647
	R4051	4.7K		4.7K	4.7K
s405	R4056	RD35668	X	RD35668	RD35668
		6.8K		6.8K	6.8K
s406	R4063	RD35710	X	RD35710	RD35710
		10K		10K	10K
s407	R4067	RD35722	X	RD35722	RD35722
		22K		22K	22K
s408	R4061	X	X	RD35710	X
s409	D4015	X	X	X	X
		S1R-905TA47		S1R-905TA47	
s410	G4014	WC43500	X	WC43500	WC43500
		KRC102S-RTK/P		KRC102S-RTK/P	KRC102S-RTK/P
s411	D4008	X	X	X	X
		VT33290		VT33290	
		15S355		15S355	
s413	SW422	X	X	X	X
		WD48310		WD48310	
		SKRGAA010		SKRGAA010	
s416	C4003	X	X	US06310	X
	C4004	X	X	1000P(B)	X
s421	SW424	X	X	WD48310	X
		SKRGAA010		SKRGAA010	
s441	J4401	X	X	RD35000	RD35000
		US13510		RD35000	RD35000
s442	C4409	X	X	X	X
		0.1/50(F)		X	X

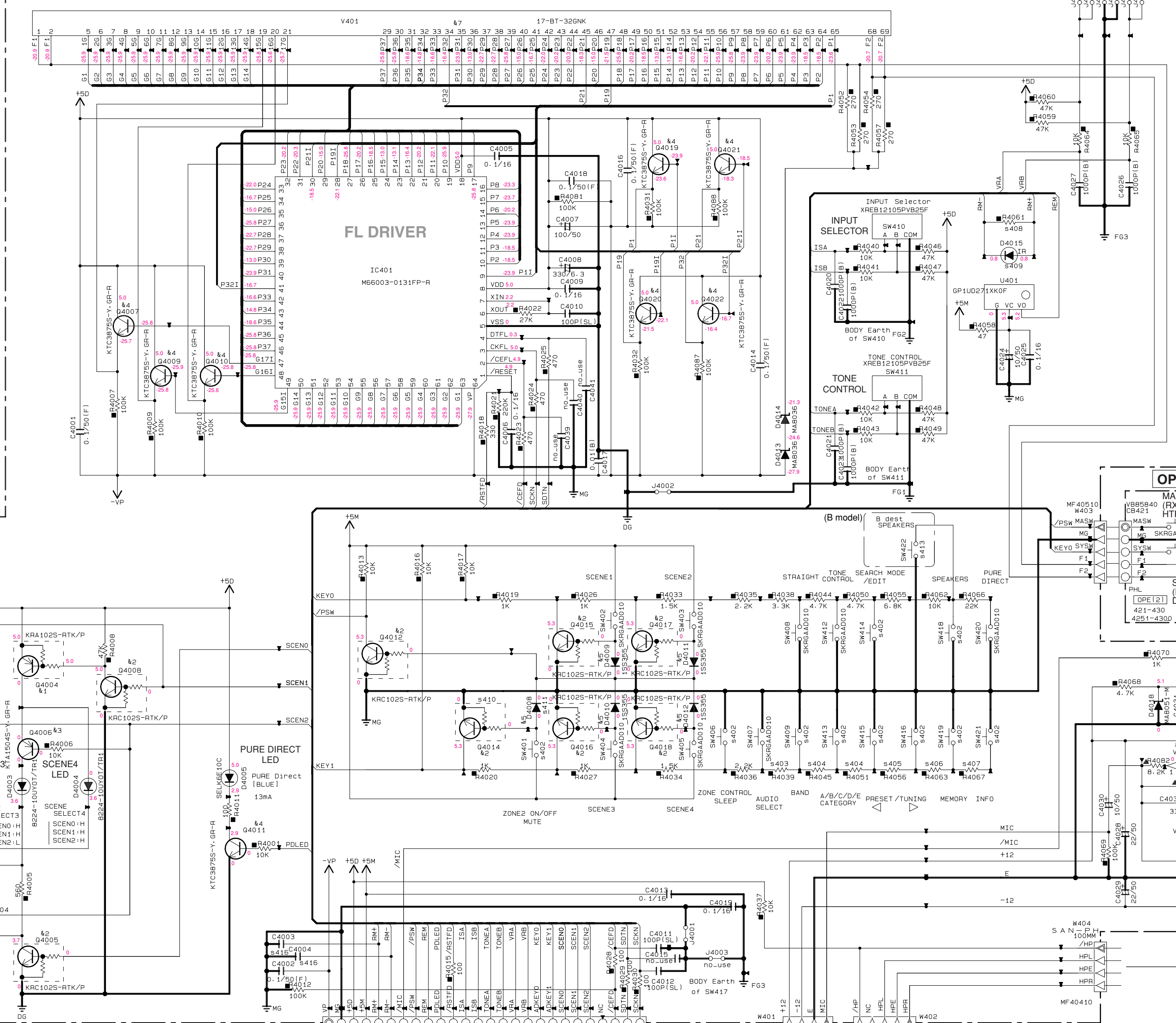
Mark	Reference Parts Number	Parts Name
k1	G4001-4004	KRA102S-RTK/P DTA114EKA
k2	G4005-4008-4012- G4014-4018	KRC102S-RTK/P DTC114EKA
k3	G4002-4006	KTC3875S-Y-GR-RTK/P A1037AK(G/R/S)
k4	G4003-4007-4009-4011- 4019-4022	KTC3875S-Y-GR-RTK/P C2412K(G/R/S) S2000R(M/L/W/S)
k5	D4008-4012-4016-4017- 4302-4303-4401-4404	15S355 MA2J1106L K05160-RTK/P
k6	IC441	TC7SE13FU SN74AHC1632DCKR
k7	V401	17-BT-356NK HNA-17M06T

OPERATION (1)



★ All voltages are measured with a 10MΩ/V DC electronic voltmeter.  
 ★ Components having special characteristics are marked with \* and must be replaced with parts having specifications equal to those originally installed.  
 ★ Schematic diagram is subject to change without notice.

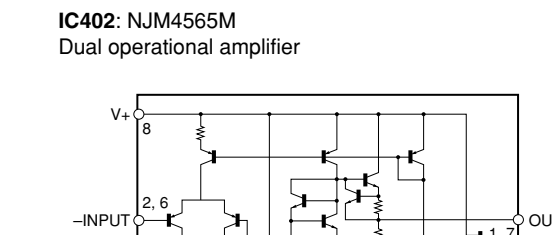
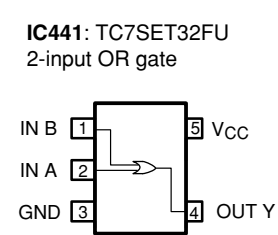
● 電圧は、内部抵抗10MΩの電圧計で測定したものです。  
 ● \*印のある部品は、安全性確保部品を示しています。部品の交換が必要な場合、パーツリストに記載されている部品を使用してください。  
 ● 本回路図は標準回路図です。改良のため予告なく変更することがございます。



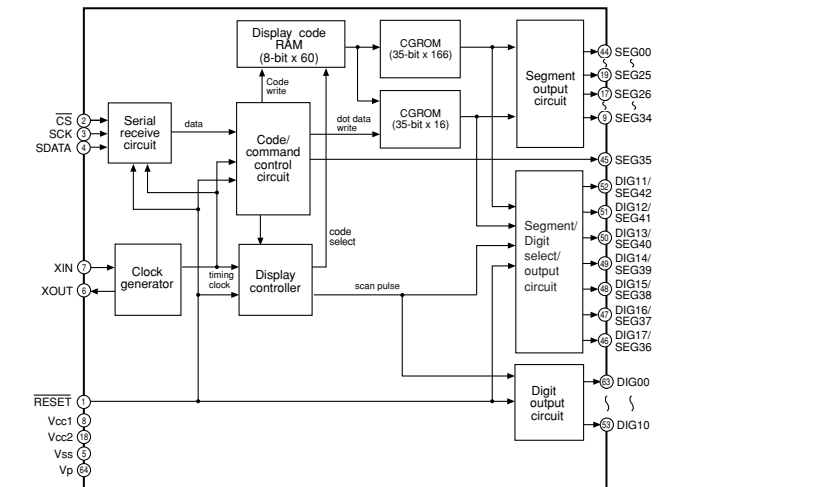
Page 106 [B2] to DIGITAL\_CB30

Page 108 [F2] to DIGITAL\_CB63

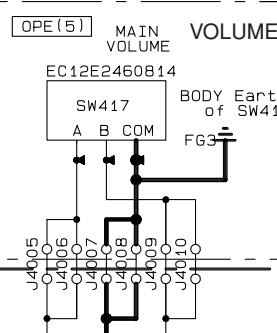
Page 110 [G8] to FUNCTION (1)\_CB221



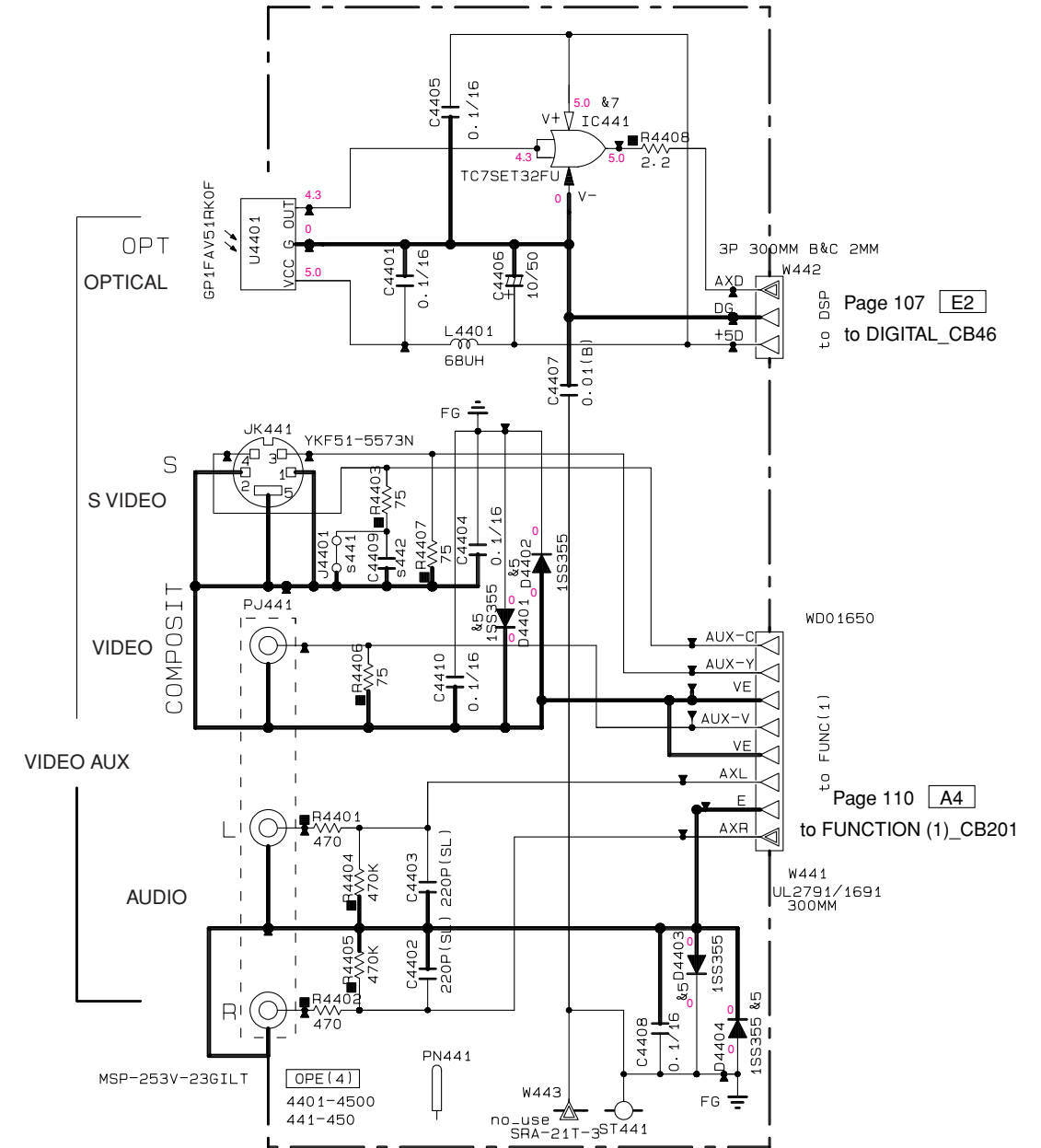
IC401: M66003-0131FP-R 18 digit 5 x 7 segment VFD controller/driver



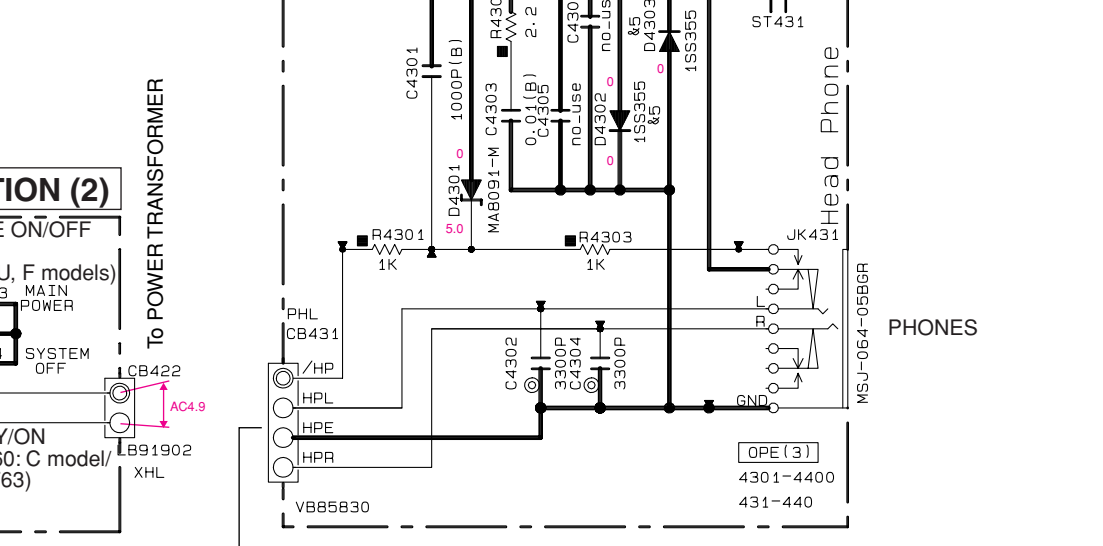
OPERATION (5)



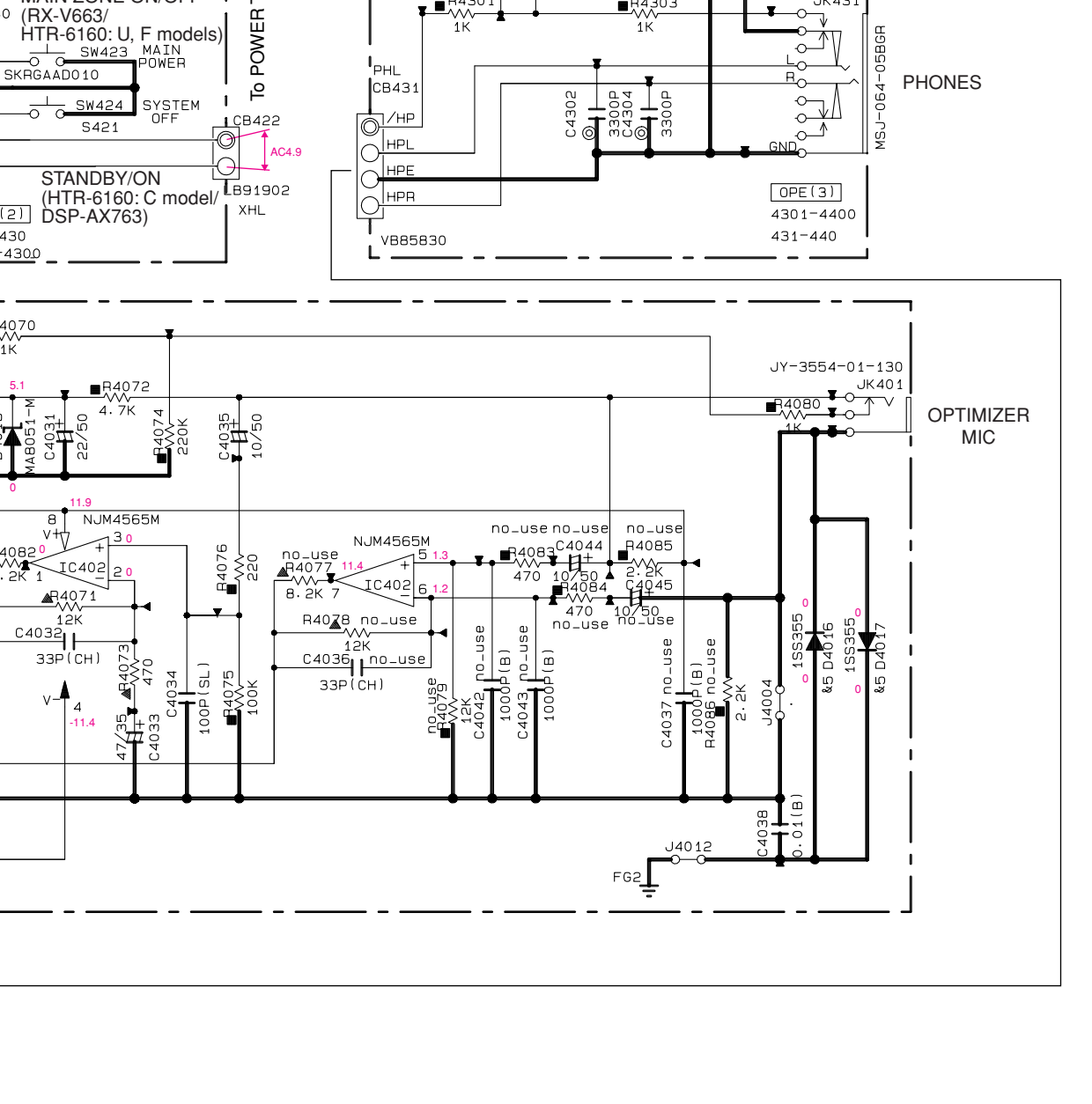
OPERATION (4)



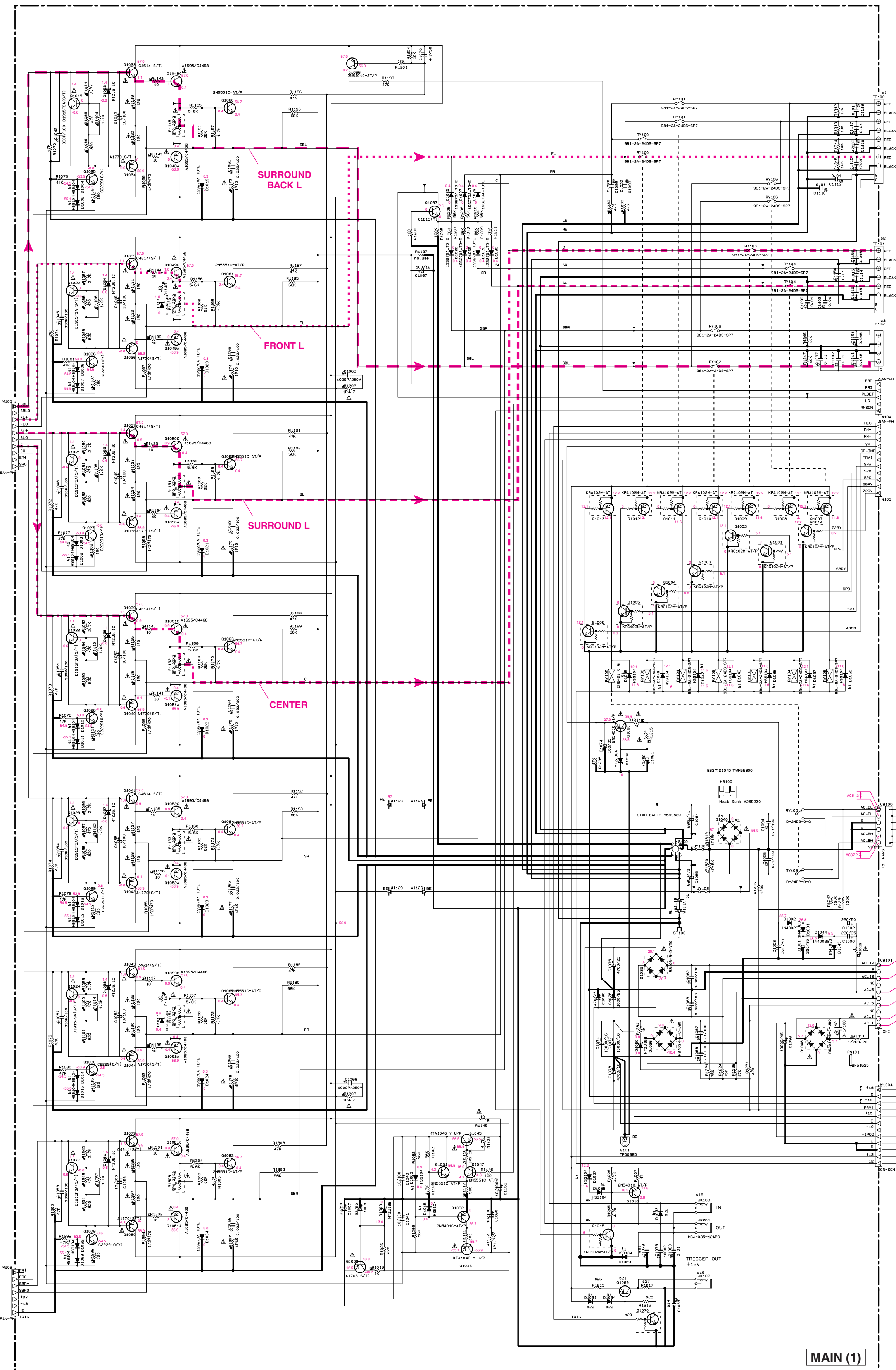
OPERATION (3)



OPERATION (2)



MAIN



DESIGNATION PART LIST

NO.	LOC.	DSP-AX763	RX-V663/HTR-6160	RX-V663	RX-V663/HTR-6160	DSP-AX763	HTR-6160
11	R100	W37280	W37280	W37270	W37280	W37280	W37280
12	T101	L17001-0010PM	L17001-0010PM	L17001-0010PM	L17001-0010PM	L17001-0010PM	L17001-0010PM
13	T102	W36000	W36000	W36000	W36000	W36000	W36000
14	C101	W36000	W36000	W36000	W36000	W36000	W36000
15	C102	W36000	W36000	W36000	W36000	W36000	W36000
16	C103	W36000	W36000	W36000	W36000	W36000	W36000
17	C104	W36000	W36000	W36000	W36000	W36000	W36000
18	R100	W36000	W36000	W36000	W36000	W36000	W36000
19	W100	W36000	W36000	W36000	W36000	W36000	W36000
20	C105	W36000	W36000	W36000	W36000	W36000	W36000
21	C106	W36000	W36000	W36000	W36000	W36000	W36000
22	C107	W36000	W36000	W36000	W36000	W36000	W36000
23	C108	W36000	W36000	W36000	W36000	W36000	W36000
24	R101	W36000	W36000	W36000	W36000	W36000	W36000
25	R102	W36000	W36000	W36000	W36000	W36000	W36000
26	R103	W36000	W36000	W36000	W36000	W36000	W36000
27	R104	W36000	W36000	W36000	W36000	W36000	W36000
28	W101	W36000	W36000	W36000	W36000	W36000	W36000

REMARKS

REMARKS	PARTS NAME
NO MARK	CARBON FILM RESISTOR (10)
①	CARBON FILM RESISTOR (1-10)
②	METAL OXIDE FILM RESISTOR
③	METAL FILM RESISTOR
④	FINE GRID CARBON FILM RESISTOR
⑤	METAL PLATE RESISTOR
⑥	CEMENT MOUNTED RESISTOR
⑦	SEMIVARIABLE RESISTOR
⑧	CHIP RESISTOR

REMARKS	PARTS NAME
NO MARK	ELECTROLYTIC CAPACITOR
⑨	TANTALUM CAPACITOR
⑩	CERAMIC CAPACITOR
⑪	CERAMIC TUBULAR CAPACITOR
⑫	POLYESTER FILM CAPACITOR
⑬	POLYETHYLENE FILM CAPACITOR
⑭	MICA CAPACITOR
⑮	POLYPROPYLENE FILM CAPACITOR
⑯	SEMICONDUCTIVE CERAMIC CAPACITOR

NOTICE (model)

(J)..... JAPAN  
 (U)..... U.S.A  
 (C)..... CANADA  
 (R)..... GENERAL  
 (T)..... CHINA  
 (K)..... KOREA  
 (A)..... AUSTRALIA  
 (B)..... BRITISH  
 (G)..... EUROPE  
 (L)..... SINGAPORE  
 (E)..... SOUTH EUROPE  
 (V)..... TAIWAN  
 (F)..... RUSSIAN

Interchangeable Parts at Manufacture-Stage

Part	Reference Parts Number	Part Name
11	0304-1037-1038, 1043	155133
	1047-1048-1049, 1053	155176
	1061-1067-1069	155176

FRONT B/ZONE B/ZONE2/PRESENCE

FRONT A

SPEAKERS

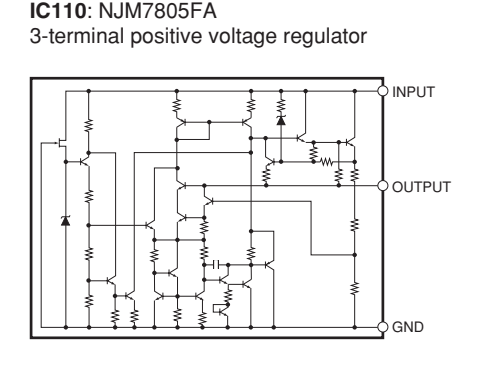
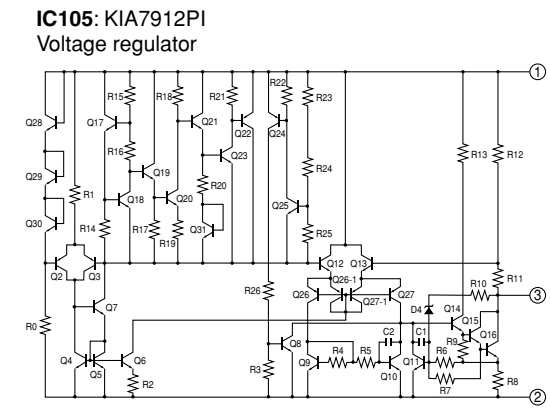
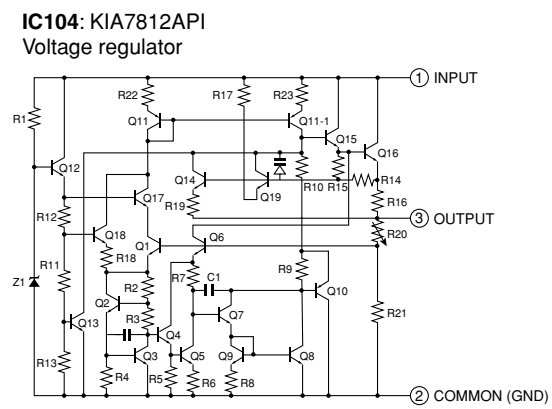
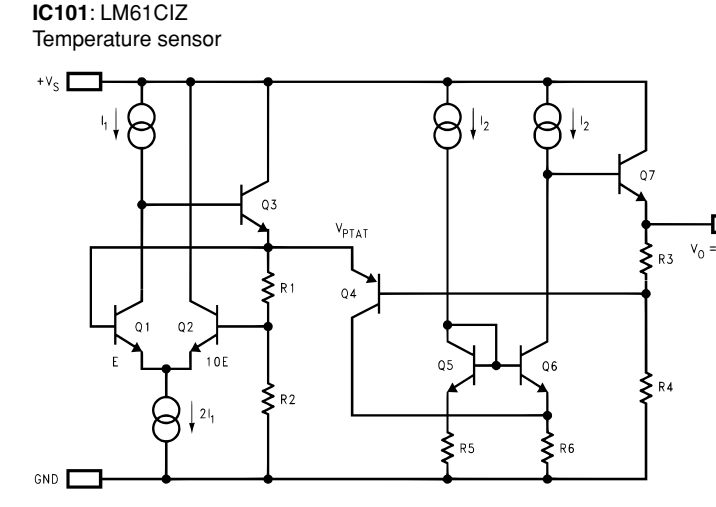
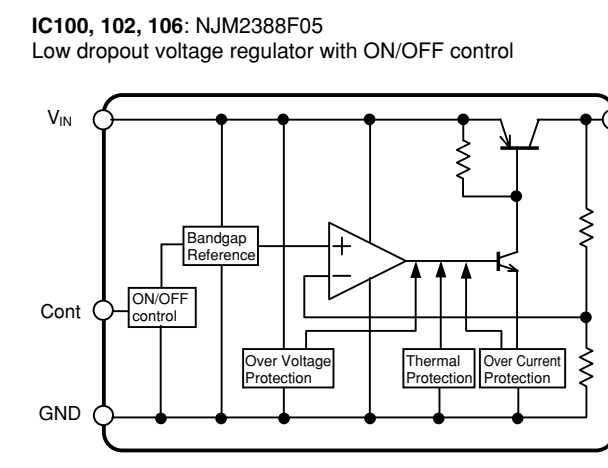
CENTER

SURROUND

SURROUND BACK/BI-AMP

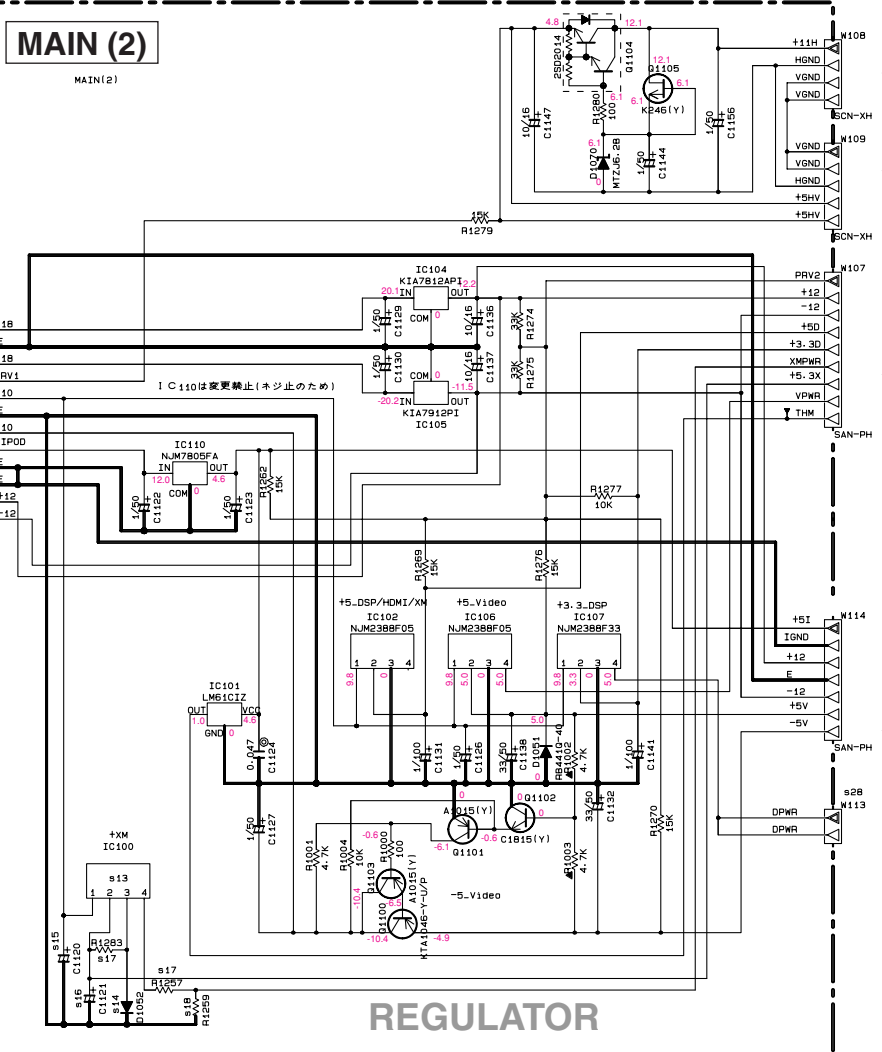
Page 106 [E2] to DIGITAL\_CB32

Page 106 [D2] to DIGITAL\_CB31



TO POWER TRANSFORMER

TO POWER TRANSFORMER



Page 111 [B9] to FUNCTION (3)\_CB251

Page 109 [J2] to DIGITAL\_CB82

Page 108 [D2] to DIGITAL\_CB62

Page 114 [K3] to VIDEO (1)\_CB303

Page 106 [H2] to DIGITAL\_CB38 (J model)

REGULATOR

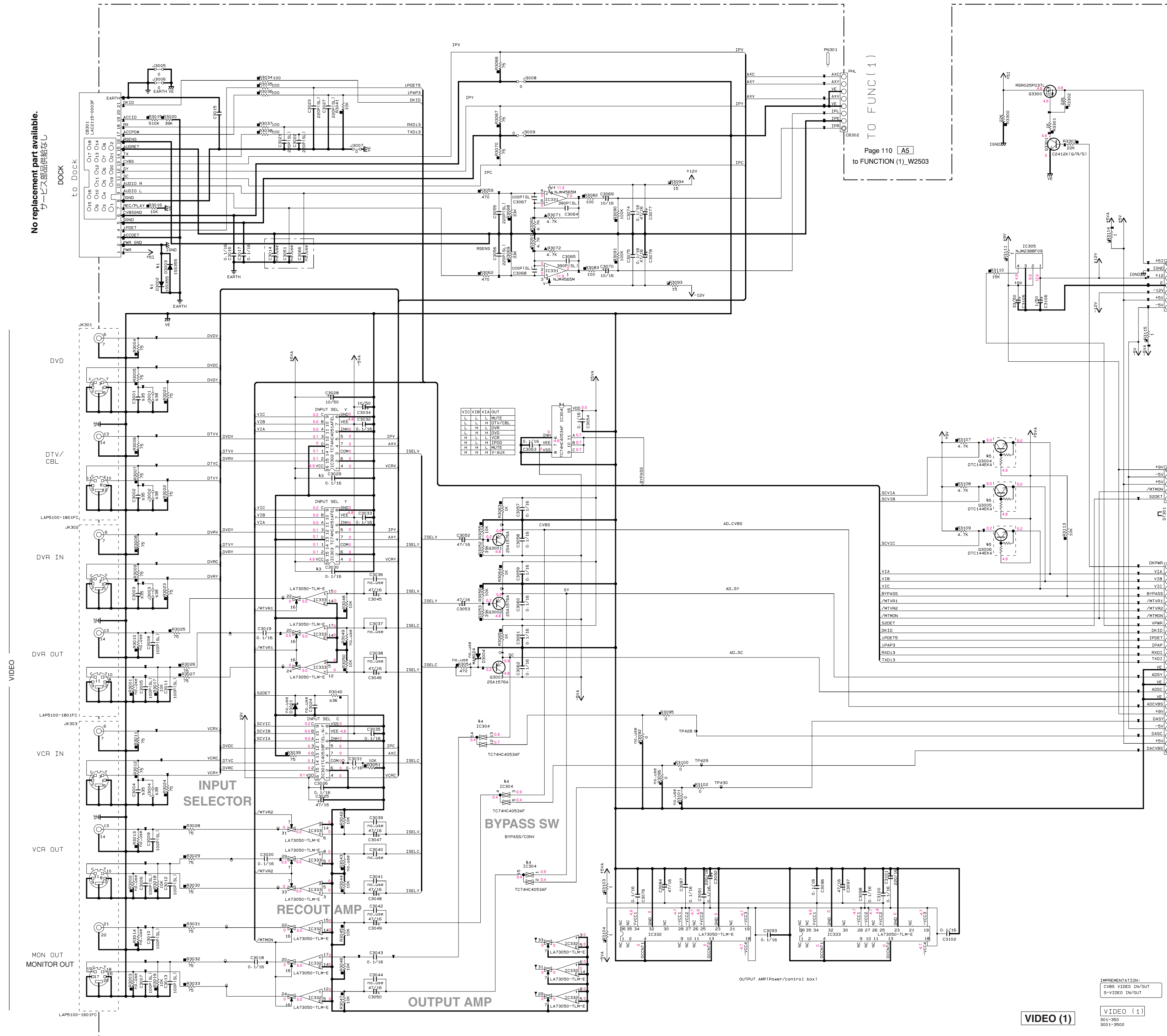
\* All voltages are measured with a 10MΩ/V DC electronic voltmeter.  
 \* Components having special characteristics are marked with a triangle (Δ), and must be replaced with parts having specifications equal to those originally installed.  
 \* Schematic diagram is subject to change without notice.

● 電圧は、内部抵抗10MΩの電圧計で測定したものです。  
 ● Δ印のある部品は、安全性確保部品を示しています。部品の交換が必要な場合、パーツリストに記載されている部品を使用してください。  
 ● 本回路図は標準回路図です。改良のため予告なく変更することがございます。

Page 110 [18] to FUNCTION (1)\_CB232

Page 110 [18] to FUNCTION (1)\_CB231

No replacement part available.  
カーナビ部品は納品済



Page 110 [A5]  
to FUNCTION (1)\_W2503

Interchangeable Parts at Manufacture Stage

Mark	Reference	Parts Number	Part Name
A1	C3002-3003-3005-3004	ISS305	M3J11100L
A2	IC303	TC74HC4053AF(EL-F)	NM74HC4053LX-NL
A3	IC302-303	TC74HC4051AFEL	NM74HC4051LX-NL
A4	IC304	TC74HC4053AF(EL-F)	NM74HC4053LX-NL
A5	Q3004-Q3006	DT144EK4	KRC1045-RTK/P
A6	Q3001	KRC1025-RTK/P	DT144EK4

NOTICE (mode1)  
(J)..... JAPAN  
(U)..... U.S.A  
(C)..... CANADA  
(R)..... GENERAL  
(T)..... CHINA  
(K)..... KOREA  
(A)..... AUSTRALIA  
(B)..... BRITISH  
(G)..... EUROPE  
(L)..... SINGAPORE  
(E)..... SOUTH EUROPE  
(V)..... TAIWAN  
(F)..... RUSSIAN

REMARKS	PARTS NAME
NO MARK	CARBON FILM RESISTOR (P=5)
NO MARK	CARBON FILM RESISTOR (P=10)
NO MARK	METAL OXIDE FILM RESISTOR
NO MARK	METAL PLATE RESISTOR
NO MARK	FINE PROOF CARBON FILM RESISTOR
NO MARK	CEMENT MOLDED RESISTOR
NO MARK	SEMI VARIABLE RESISTOR
NO MARK	CHIP RESISTOR

Destination	Part List
9XX	LOC J UCRTKABEFL
935	C3004 US13510 X
	C3001 G1716
	C3005
936	R3040 R036510 X
	R3002 K
938	J3004 X R036600
	J3004
	J3001
	J3003

REMARKS	PARTS NAME
NO MARK	ELECTROLYTIC CAPACITOR
NO MARK	TANTALUM CAPACITOR
NO MARK	CERAMIC CAPACITOR
NO MARK	CERAMIC TUBULAR CAPACITOR
NO MARK	POLYESTER FILM CAPACITOR
NO MARK	POLYPROPYLENE FILM CAPACITOR
NO MARK	MICA CAPACITOR
NO MARK	POLYPROPYLENE FILM CAPACITOR
NO MARK	SEMICONDUCTIVE CERAMIC CAPACITOR

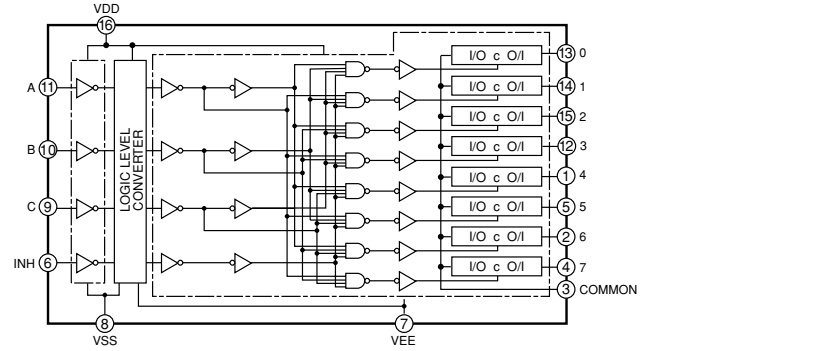
Page 113 [K9]  
to MAIN (2)\_W114

Page 111 [B5]  
to FUNCTION (6)\_CB296

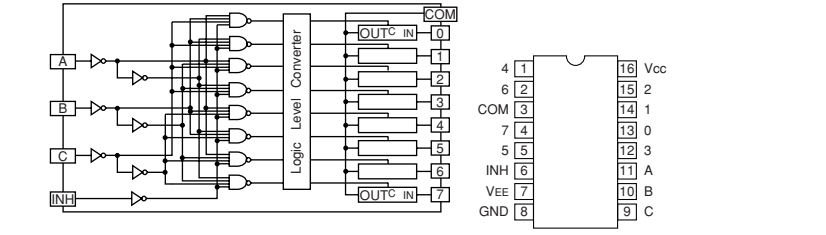
Page 109 [E2]  
to DIGITAL\_CB80

TO DOCK  
TO DVD  
TO DTV/CBL  
TO DVR IN  
TO VCR IN  
TO VCR OUT  
TO MON OUT  
TO DIGITAL  
TO MAIN (2)  
TO FUNC (1)  
TO FUNC (6)

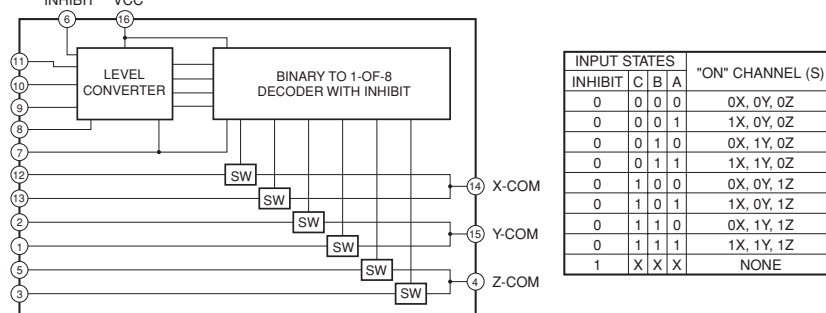
IC301: TC4051BF  
Multiplexer/demultiplexer



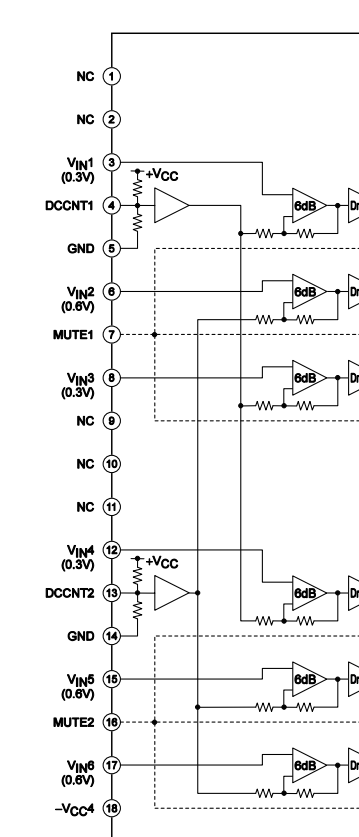
IC302, 303: TC74HC4051AFEL  
8-channel analog multiplexer/demultiplexer



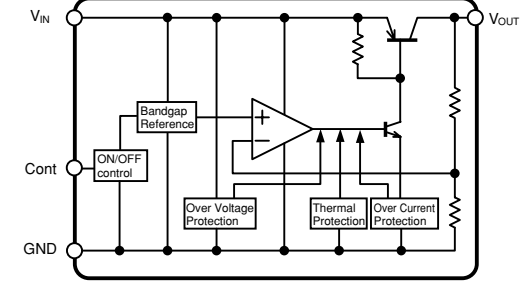
IC304: TC74HC4053AF  
Analog multiplexer/demultiplexer



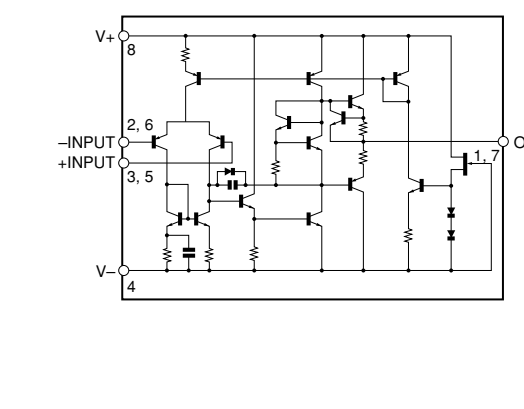
IC332, 333: LA73050-TLM-E  
6-channel 75-ohm video driver



IC305: NJM2388F09  
Low dropout voltage regulator with ON/OFF control



IC331: NJM4565M  
Dual operational amplifier



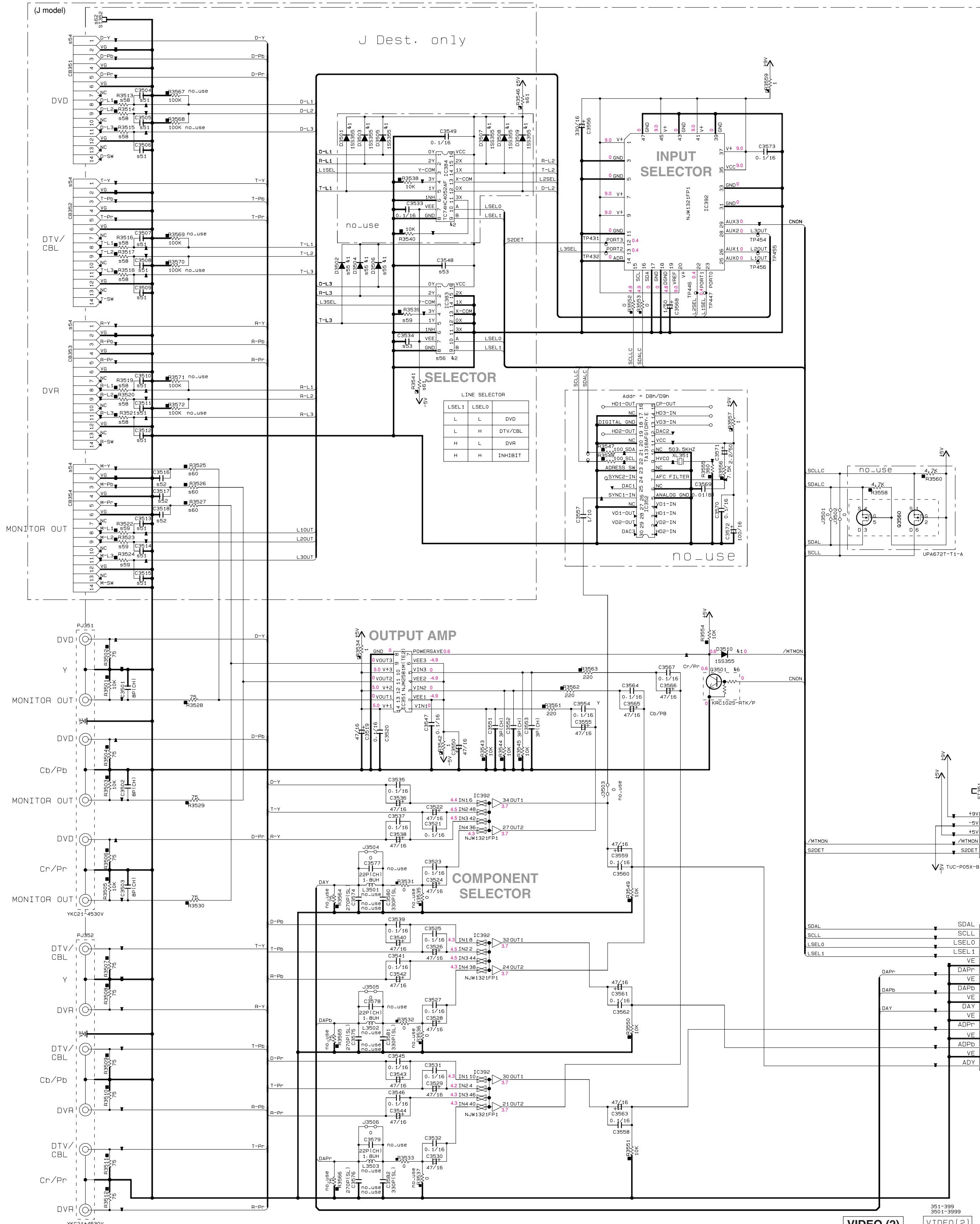
VIDEO (1)

VIDEO0663 sht001

\* All voltages are measured with a 10MΩ/V DC electronic voltmeter.  
\* Components having special characteristics are marked with a triangle and must be replaced with parts having specifications equal to those originally installed.  
\* Schematic diagram is subject to change without notice.

● 電圧は、内部抵抗10MΩの電圧計で測定したものです。  
● 印のある部品は、安全性確保部品を示しています。部品の交換が必要な場合、パーツリストに記載されている部品を使用してください。  
● 本回路図は標準回路図です。改良のため予告なく変更することがございます。

VIDEO 2/2



Destination Part List

EXX	LOC	J	UCRTRKAGEFL
#51	C3513	US06410	X
	C3514	0.0118	
	C3515		
	C3516		
	C3517		
	C3518		
#52	C3518	US06080	X
	C3516	8P1CH	
	C3517		
#53	C3548	US13510	X
	C3534	0.1716	
#54	C8354	WD39840	X
	C8353	WV45-3011	
	C8352		
	C8351		
#55	C8356	VT33290	X
	C8354		
#56	IC383	X5790A0	X
	R3513	R035510	X
	R3514	100	
	R3515		
	R3516		
#59	R3524	R035710	X
	R3523	10K	
	R3522		
	R3521		
#60	R3525	R035475	X
	R3526	75	
	R3527		
#61	R3541	HV75310	X
	R3546		
#62	ST352	X	V404050

NOTICE (model)

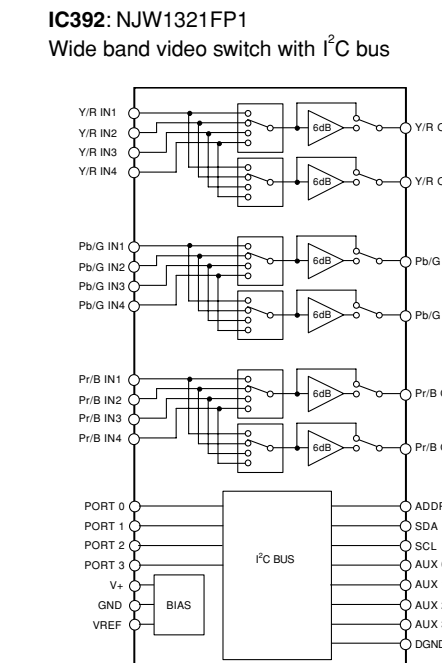
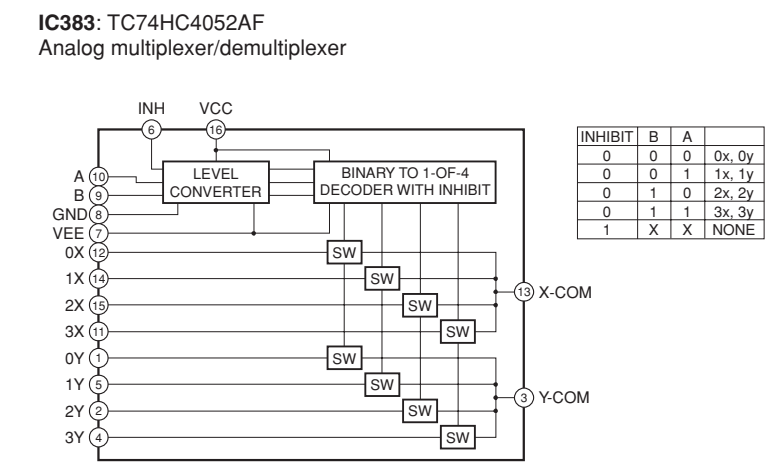
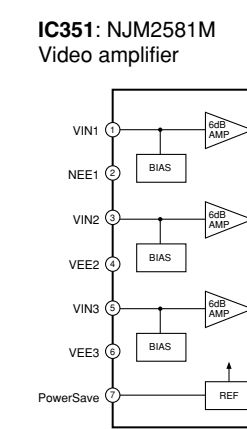
(J)..... JAPAN  
 (U)..... U.S.A  
 (C)..... CANADA  
 (R)..... GENERAL  
 (T)..... CHINA  
 (K)..... KOREA  
 (A)..... AUSTRALIA  
 (B)..... BRITISH  
 (G)..... EUROPE  
 (L)..... SINGAPORE  
 (E)..... SOUTH EUROPE  
 (V)..... TAIWAN  
 (F)..... RUSSIAN

CAPACITOR

REMARKS	PARTS NAME
NO MARK	ELECTROLYTIC CAPACITOR
⊗	TANTALUM CAPACITOR
NO MARK	CERAMIC CAPACITOR
●	CERAMIC TUBULAR CAPACITOR
○	POLYESTER FILM CAPACITOR
○	POLYSTYRENE FILM CAPACITOR
○	MICA CAPACITOR
○	POLYPROPYLENE FILM CAPACITOR
⊙	SEMICONDUCTIVE CERAMIC CAPACITOR

RESISTOR

REMARKS	PARTS NAME
NO MARK	CARBON FILM RESISTOR (P=5)
□	CARBON FILM RESISTOR (P=10)
△	METAL OXIDE FILM RESISTOR
△	METAL FILM RESISTOR
△	METAL PLATE RESISTOR
△	FIRE PROOF CARBON FILM RESISTOR
□	CEMENT MOLDED RESISTOR
⊗	SEMI VARIABLE RESISTOR
■	CHIP RESISTOR



TO FUNC(6)  
Page 111 [C5]  
to FUNCTION (6)\_CB297

TO DIGITAL  
Page 109 [G2]  
to DIGITAL\_CB81

\* All voltages are measured with a 10MΩ/V DC electronic voltmeter.  
 \* Components having special characteristics are marked with a triangle (△) and must be replaced with parts having specifications equal to those originally installed.  
 \* Schematic diagram is subject to change without notice.

● 電圧は、内部抵抗10MΩの電圧計で測定したものです。  
 ● △印のある部品は、安全性確保部品を示しています。部品の交換が必要な場合、パーツリストに記載されている部品を使用してください。  
 ● 本回路図は標準回路図です。改良のため予告なく変更することがございます。